

TRAIL PROVEN OFF-ROAD PERFORMANCE

SCX10™


**2012 JEEP® WRANGLER
UNLIMITED RUBICON**
BUILD IT YOURSELF KIT VERSION
1/10th SCALE ELECTRIC 4WD



www.axialracing.com

SCX10

CAUTIONS

 **To prevent serious personal injury and/or property damage, operate all remotely controlled models in a responsible manner as outlined herein.**

CHOOSE THE RIGHT PLACE TO OPERATE YOUR R/C MODEL.

- Do not run on public streets or highways. This could cause serious accidents, personal injuries, and/or property damage.
- Never run R/C models near people or animals.
- To avoid injury, do not run in confined spaces.
- Do not run where loud noises can disturb others, such as hospitals and residential areas.
- Never run indoors. There is a high risk of fire and/or damage.


INSPECT YOUR MODEL BEFORE OPERATION.

- Make sure that all screws and nuts are properly tightened. It is also a good idea to use removable thread lock wherever metal screws go into metal, especially for engine mounts and the engine pilot shaft.
- Always use fresh batteries for your transmitter and for your receiver to avoid losing control of the model.
- Always test the brakes and throttle before starting your engine to avoid losing control of the model.
- Make sure no one else is using the same radio frequency as you are using.

AFTER OPERATION OF YOUR R/C MODEL

- Turn off receiver first, then turn off transmitter, this will prevent runaways.
- Be careful when handling batteries, they will be hot after running.
- Replace any batteries that have been dented or have frayed wires, short circuits can cause fire.
- Be sure to keep your R/C model clean and free of excess dirt and grease, this will increase the life.

VORSICHT!

 **Um Verletzungen an Personen und/oder Sachschäden zu vermeiden, sollten alle ferngesteuerten Modelle sorgfältig und verantwortungsbewusst bedient werden, wie nachfolgend beschrieben.**

Wählen Sie den richtigen Platz zum Fahren

- Fahren Sie niemals auf öffentlichen Straßen. Dies könnte Verkehrsunfälle, Personen schäden oder Sachschäden verursachen.
- Fahren Sie niemals in der Nähe von anderen Personen oder Tieren.
- Fahren Sie niemals auf belebten Straßen.
- Fahren Sie nie in der Nähe von Wohnhäusern oder Krankenhäusern. Der Lärm könnte andere Personen stören.
- Fahren Sie niemals in Innenräumen. Dort könnte etwas beschädigt werden.

Überprüfen Sie Ihr Modell, bevor Sie es in Betrieb nehmen.

- Gehen Sie sicher, dass alle Schrauben und Muttern festgezogen sind. Verwenden Sie überall dort Schrauben-Sicherungslock, wo Metallschrauben in ein Metallgewinde greifen, besonders bei den Motorhaltern.
- Um Störungen zu vermeiden, benutzen Sie immer voll geladene Akkus in Ihrem Sender und Empfänger.
- Bevor Sie den Motor starten, sollten Sie immer die Funktion der Bremse und des Gashebels testen.
- Gehen Sie sicher, dass niemand mit der gleichen Frequenz fährt wie Sie.

Nach Betrieb des RC Modells:

- Zuerst den Empfänger abdrehen, dann den Sender abdrehen um unkontrolliertes Durchgehen zu vermeiden.
- Seien Sie vorsichtig mit gebrauchten Akkus, sie können nach dem Gebrauch heiß sein.
- Ersetzen Sie Akkus/Batterien die beschädigt sind oder schadhafte Kabel aufweisen, sie können Kurzschlüsse oder Feuer verursachen.
- Halten Sie Ihr Fahrzeug sauber und entfernen Sie Schmutz und Schmierfett, damit erhöhen Sie die Lebensdauer Ihres Modells.

PRECAUTIONS

 **Afin d'éviter toutes blessures corporelles et/ou dommages environnants, veuillez procéder en toute responsabilité comme indiqué ci-dessous**

Choisir le lieu adéquat pour faire rouler votre modèle.

- Ne jamais rouler dans les rues ou sur les routes ouvertes au public. Ceci peut provoquer de graves accidents.
- Ne jamais rouler près de personnes ou d'animaux.
- Pour éviter les blessures, ne pas rouler dans des espaces confinés.
- Ne jamais rouler où le bruit peut déranger, comme aux abords des hôpitaux ou des quartiers résidentiels.
- Ne jamais rouler à l'intérieur: les gaz d'échappement sont nocifs.

Controler votre modèle avant chaque utilisation.

- Vérifier que les vis et les écrous sont bien serrés. Il est très fortement conseillé d'utiliser du frein filet pour bloquer les vis qui sont en contact avec du métal et tout particulièrement les vis du moteur.
- Toujours utiliser des batteries bien chargées pour l'émission et la réception.
- Toujours vérifier les freins et la commande des gaz avant de démarrer.
- Vérifier qu'aucune autre personne n'utilise votre fréquence radio.

Après l'Opération De Votre Modèle de R/C

- Le virage du récepteur premier, alors virage de l'émetteur, ceci empêchera des fugitifs.
- Faire attention en contrôlant des piles, ils auront chaud après avoir couru.
- Remplacer n'importe quelles piles qui ont été cabossées ou a éraillé des fils, les court-circuits peuvent causer le feu.
- Etre sûr de garder votre modèle de R/C nettoie et libère de terre et la graisse supplémentaires, ceci augmentera la vie.

Radio Gear / Fernsteueranlage / Equipement Radio

Radio control system

• You will need a 2-Channel radio system with one servo, receiver, an electronic speed control with an ON/OFF switch.

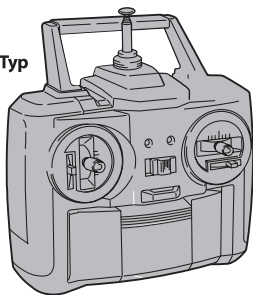
Fernsteueranlage

• Sie werden ein 2-kanal Radio System mit einem Servo, Empfänger, eine elektronische Geschwindigkeitssteuerung mit einem Netzschalter brauchen.

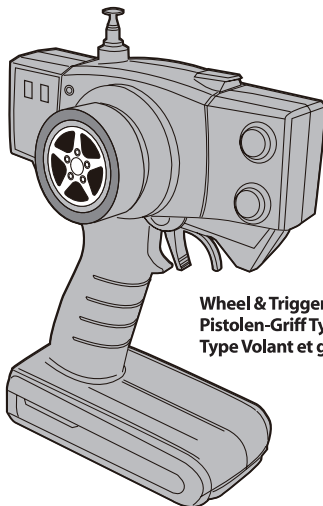
Ensemble radiocommande

• Vous aurez besoin d'un système de radio de 2 Chaînes avec un servo, le récepteur, un contrôle de vitesse électronique avec un interrupteur (on-off).

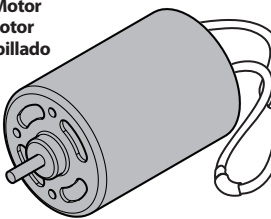
Stick Type
Steuerknüppel-Typ
Type manches



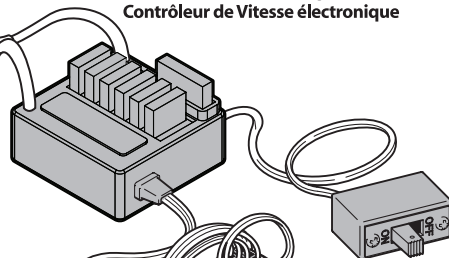
Wheel & Trigger Type
Pistolen-Griff Typ
Type Volant et gachette



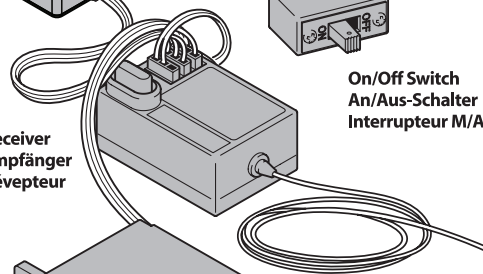
Brushed Motor
Bürstenmotor
Motor Cepillado



Electronics Speed Control with Dual Motor Capabilities
Electronics Speed Control
Elektronischer Fahrtenregler
Contrôleur de Vitesse électronique

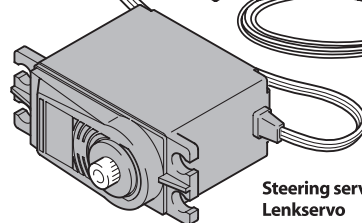


Receiver
Empfänger
Récepteur



On/Off Switch
An/Aus-Schalter
Interrupteur M/A

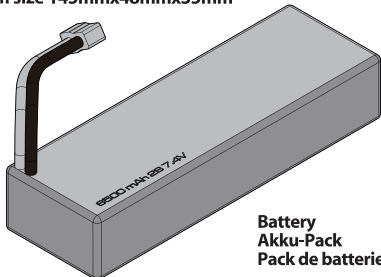
Steering servo
Lenkservo
Servo de direction



Battery / Akku / Batterie

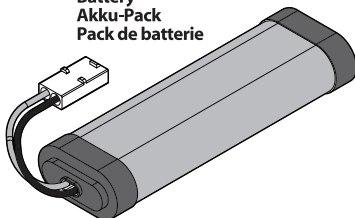
Battery / Akku / Batterie

Battery :
Maximum size 145mmx48mmx35mm

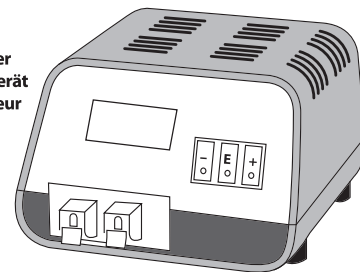


Battery
Akku-Pack
Pack de batterie

Battery
Akku-Pack
Pack de batterie



Charger
Ladegerät
Chargeur

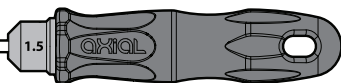


visit www.maxamps.com for a complete selection of batteries and chargers specifically for the AX10 Scorpion.

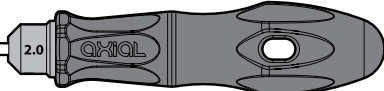
Tools Recommended / Benötigte Werkzeuge / Outillage

Hex wrench
Inbusschlüssel
Clé Allen

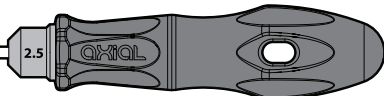
AX20015



AX20016

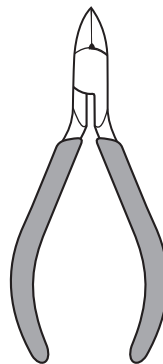
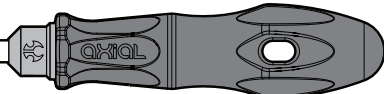


AX20017

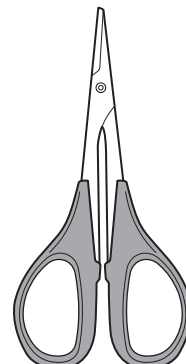


⊕Screwdriver (large)
⊕Schraubenzieher (gross)
Tournevis ⊕ (gros)

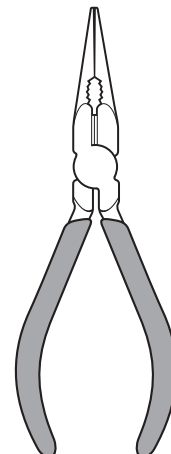
AX20045



Side cutter
Seitenschneider
Pincès coupantes

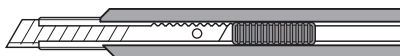


Curved scissors
Schere
Ciseaux



Long nose pliers
Flachzange
Pincès à becs longs

Modeling knife
Modelliermesser
Couteau de modéliste





PARTS FOR ALUMINUM FRONT & REAR 4-LINK UPGRADE



AX80043
SCX10 RTR LINKS PARTS TREE **\$12.50**



AX80018
HARDWARE PARTS TREE **\$5.50**



AX80005
LINKAGE SET **\$7**
(2 SETS \$14)



AXA186
M3x16MM SET SCREW (10PCS) **\$5.50**
(2 SETS FOR \$11)



AXA434
M3x8MM HEX SOCKET (10PCS) **\$3**



AXA1429
7x60MM POST - GREY (2PCS) **\$8.50**
(2 SETS \$17)



AXA1422
7x25MM POST - GREY (2PCS) **\$6**



AXA1424
7x35MM POST - GREY (2 PCS) **\$6.50**

OTHER OPTIONAL PARTS



AX30494
ALUMINUM REAR AXLE LOCKOUT **\$36.50**



AX30495
ALUMINUM C HUB CARRIER **\$42**



AX30496
ALUMINUM KNUCKLE (BLACK) **\$42**



AX30395
H-D BEVEL GEAR SET 38T/13T **\$31.50**

AX30401
H-D BEVEL GEAR SET 36T/14T **\$31.50**

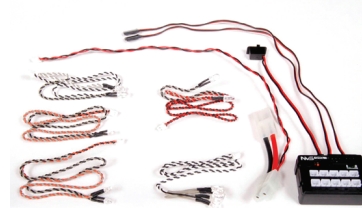
AX30402
H-D BEVEL GEAR SET 43T/13T **\$31.50**



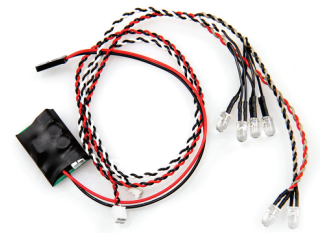
AX8087
1.9 8 HOLE BEADLOCKS (BLACK) **\$19**



AX8088
1.9 8 HOLE BEADLOCKS (CHROME) **\$20**



AX24251
NIGHT VISION SYSTEM **\$120**



AX24257
SIMPLE LED CONTROLLER W/ LED **\$31.50**



AX30860
MACHINED MOTOR PLATE **\$35**



AX24003
20T ELECTRIC MOTOR **\$19**

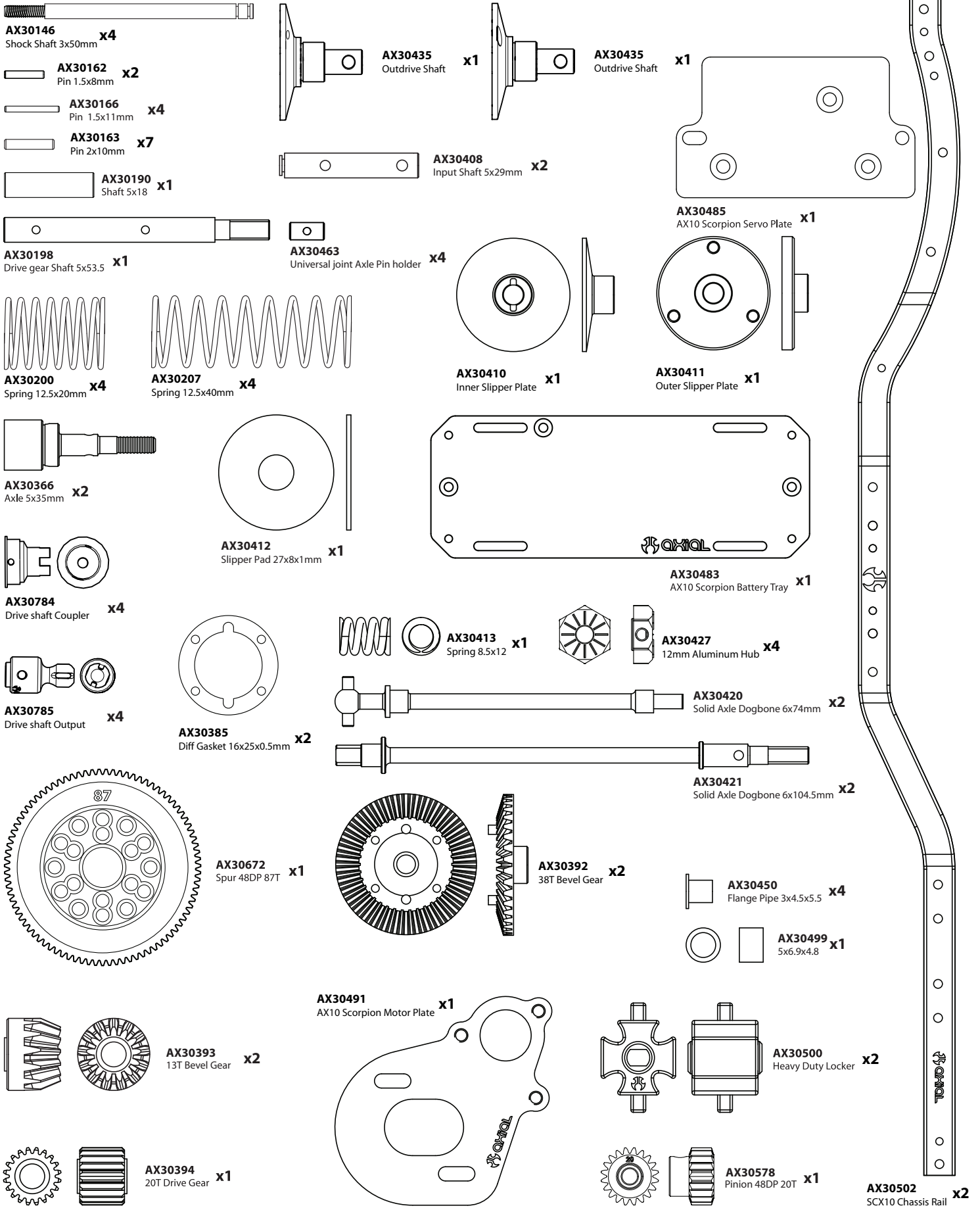


AX24004
27T ELECTRIC MOTOR **\$16**



AX24007
55T ELECTRIC MOTOR **\$19**

Parts Reference / Übersicht aller Teile / Référence des pièces



AXA013
M2x6mm **x7**

AXA015
M2x10mm **x8**

AXA083
M3x6mm **x5**

AXA085
M3x10mm **x4**

AXA087
M3x16mm **x8**

AXA088
M3x20mm **x1**

AXA089
M3x25mm **x7**

AXA1040
M3 Thin Hex Nut **x4**

AX1045
M4 Nylon Lock Nut **x6**

AXA1053
M3 Nylon Locking Hex Nut **x9**

AXA1052
M3 Thin Nylon Locking Hex Nut **x4**

AXA1059
6mm Body Clip **x12**

AXA1179
O-Ring 2.5x1.5mm **x8**

AXA1070
Washer 3x6x0.5mm **x6**

AXA1071
Washer 4x8x0.5mm **x1**

AXA1091
Washer 5x10x0.5mm **x1**

AXA1163
O-Ring 7x1mm **x4**

AXA1218
Bearing 5x10x4mm **x4**

AXA1221
Bearing 5x11x4mm **x10**

AXA1225
Bearing 8x16x5mm **x2**

AXA1230
Bearing 10x15x4mm **x6**

AXA1280
M3x10mm **x4**

AXA1358
Shock Damper 3x7x8 **x4**

AXA1392
E2 e-clip **x9**

AXA1393
E2.5 e-clip **x3**

AXA1417
5X6mm gray spacer **x1**

AXA1414
2X6mm gray spacer **x1**

AXA176
M3x2.5x13mm Screw Shaft **x8**

AXA0175
Screw Shaft M3x2.5x11mm **x5**

AXA180
M3x3mm Set Screw **x6**

AXA0113
M3x6mm Hex Socket Button Head **x9**

AXA117
M3x15mm Hex Socket Button Head **x2**

AXA119
M3x20mm Hex Socket Button Head **x4**

AXA120
M3x25mm Hex Socket Button Head **x1**

AXA121
M3x30mm Hex Socket Button Head **x1**

AXA144
M3x8mm Hex Socket Flat Head **x4**

AXA186
M3x16mm Set Screw **x12**

AXA0422
M2.6x6mm Hex Socket Button Head **x14**

AXA0424
M2.6x10mm Hex Socket Tapping Button Head **x21**

AXA0425
M2.6x12mm Hex Socket Tapping Button Head **x2**

AXA433
M3x6mm Hex Socket Tapping Button Head **x9**

AXA434
M3x8mm Hex Socket Tapping Button Head **x4**

AXA435
M3x10mm Hex Socket Tapping Button Head **x10**

AXA0437
M3x15mm Hex Socket Tapping Button Head **x12**

AXA438
M3x18mm Hex Socket Tapping Button Head **x4**

AXA0439
M3x20mm Hex Socket Tapping Button Head **x2**

AXA440
M3x25mm Hex Socket Tapping Button Head **x2**

AXA0443
M3x40mm Hex Socket Tapping Button Head **x1**

AXA0414
M2.6x10mm Hex Socket Tapping Flat Head **x3**

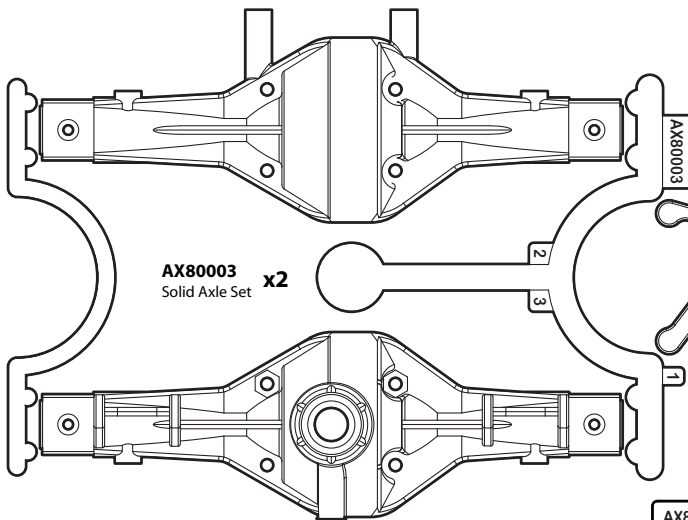
AXA463
M3x6mm Hex Socket Tapping Flat Head **x3**

AXA464
M3x8mm Hex Socket Tapping Flat Head **x15**

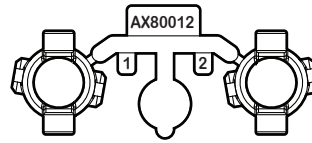
AXA465
M3x10mm Hex Socket Tapping Flat Head **x3**

AXA466
M3x12mm Hex Socket Tapping Flat Head **x6**

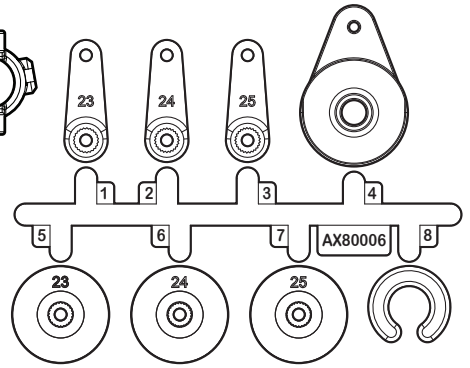
AXA471
M3x30mm Hex Socket Tapping Flat Head **x3**



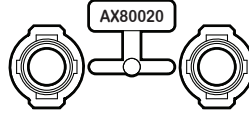
AX80003
Solid Axle Set **x2**



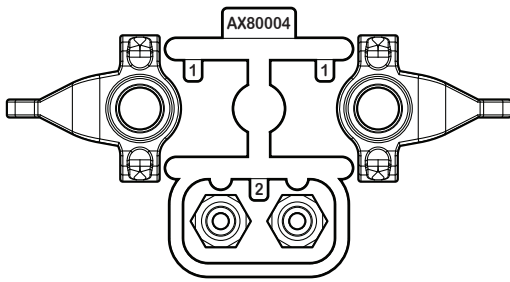
AX80012
C Hub Carrier **x1**



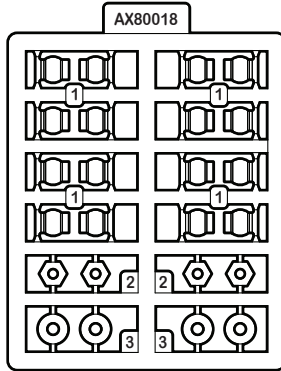
AX80006 **x1**
Servo Set



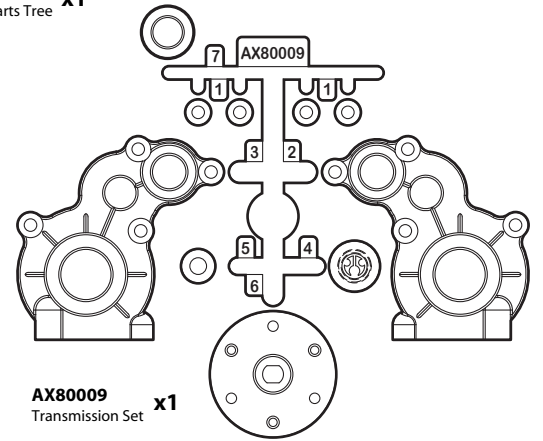
AX80020
Straight Axle Adapter Parts Tree **x1**



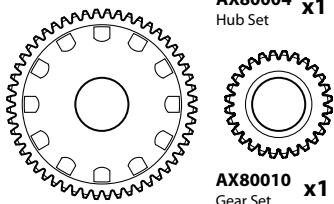
AX80004 **x1**
Hub Set



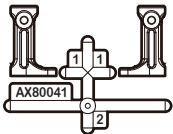
AX80018 **x2**
Hardware Parts Tree



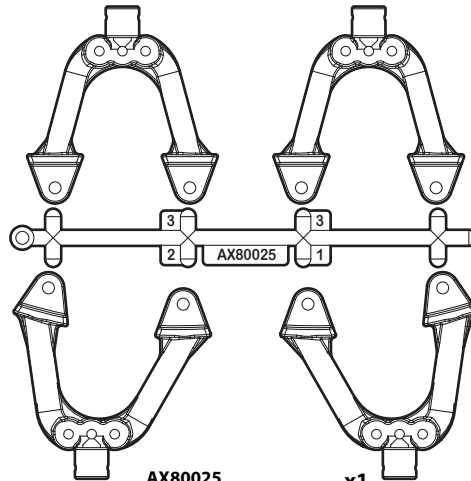
AX80009 **x1**
Transmission Set



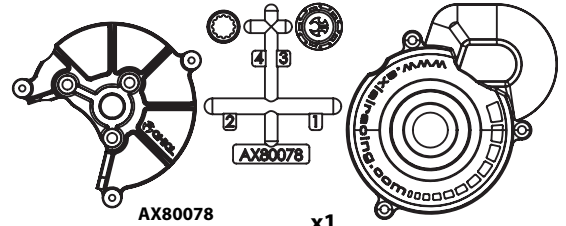
AX80010 **x1**
Gear Set



AX80041 **x2**
1/10th Scale Rock Rails Set



AX80025 **x1**
SCX10 Shock Hoops Parts Tree



AX80078 **x1**
Transmission Gear Cover



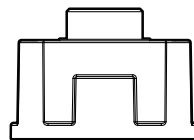
AX30517 **x1**
Threaded Aluminum Pipe 6x33mm



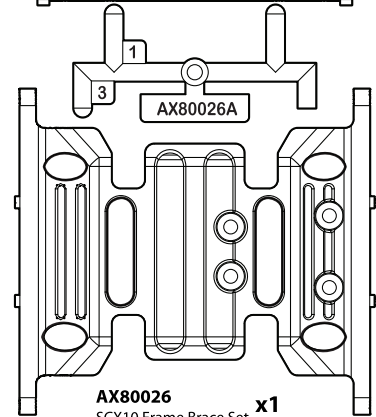
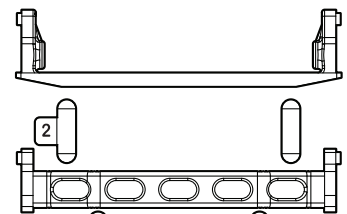
AX30518 **x2**
Threaded Aluminum Pipe 6x98mm



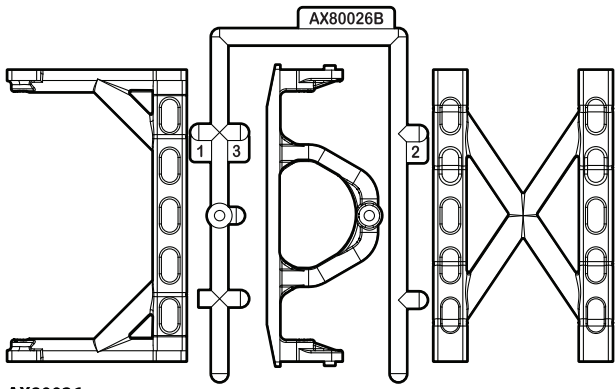
AX30516 **x3**
Threaded Aluminum Pipe 6x106mm



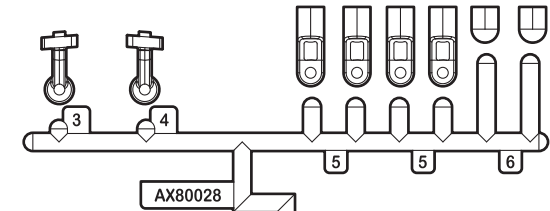
AX80002 **x2**
Diff Case



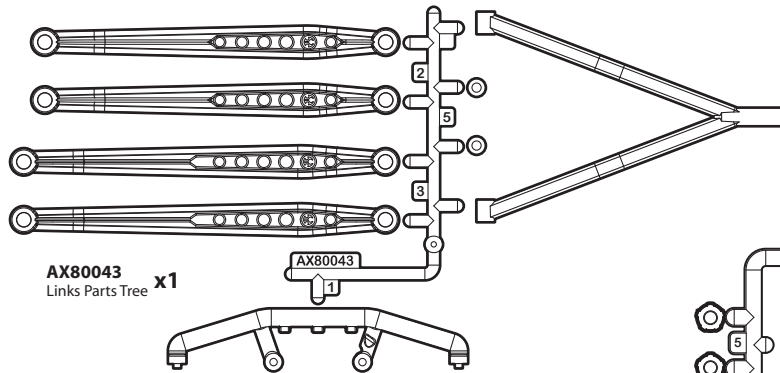
AX80026 **x1**
SCX10 Frame Brace Set



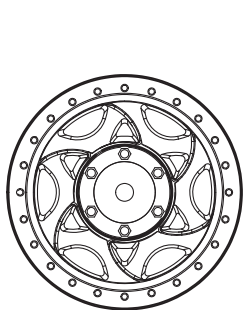
AX80026
SCX10 Frame Brace Set **x1**



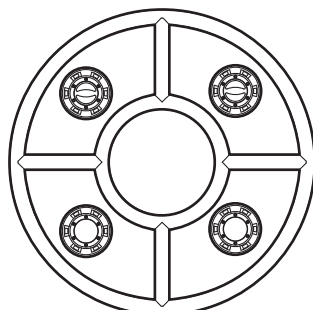
AX80028
SCX10 Radio Box Parts Tree **x1**



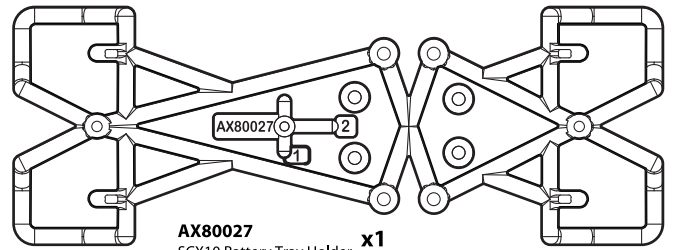
AX80043
Links Parts Tree **x1**



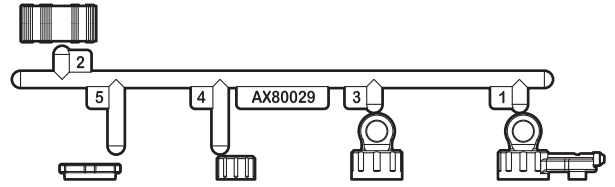
AX08138
1.9 Walker Evans Wheels - Black **x5**



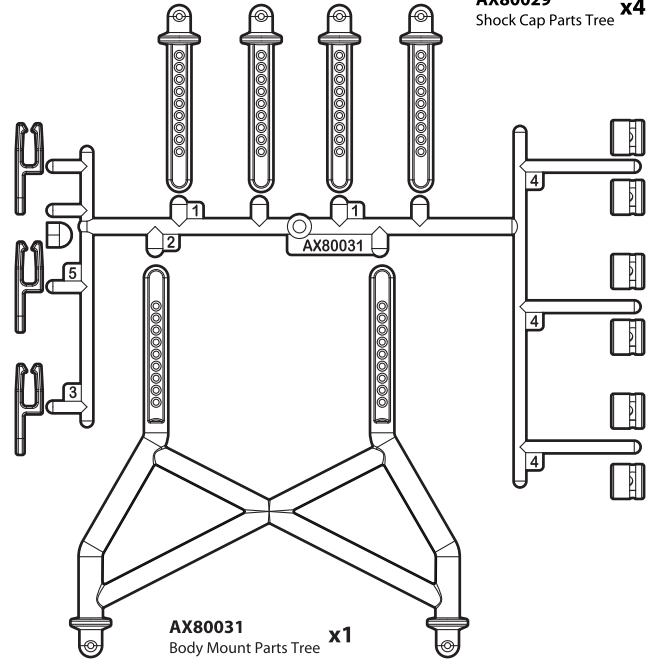
AX8087
Wheel Cap **x1**



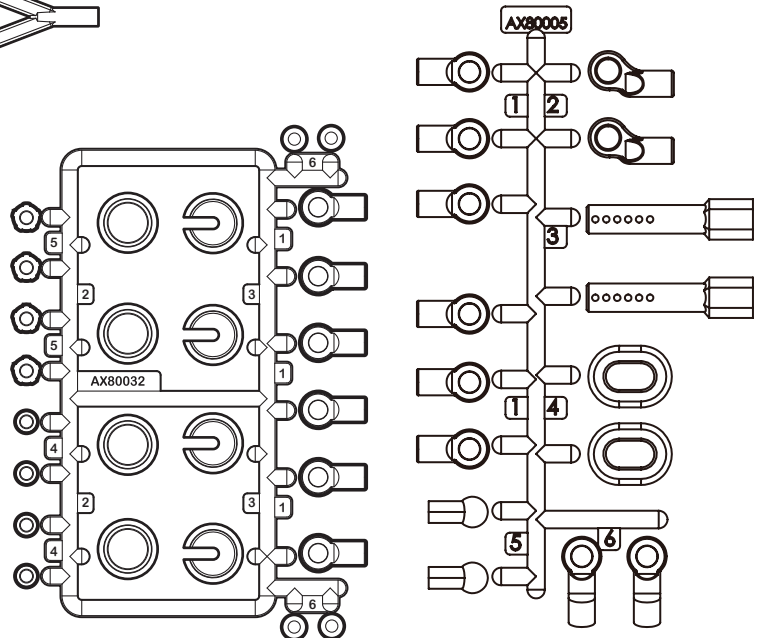
AX80027
SCX10 Battery Tray Holder **x1**



AX80029
Shock Cap Parts Tree **x4**

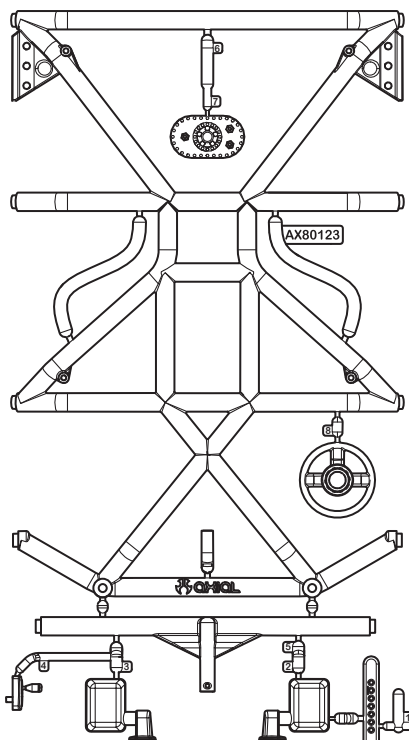


AX80031
Body Mount Parts Tree **x1**

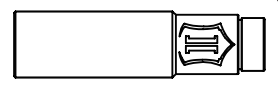


AX80032
Shock Parts **x1**

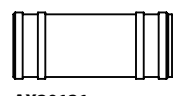
AX80005
Linkage Set **x2**



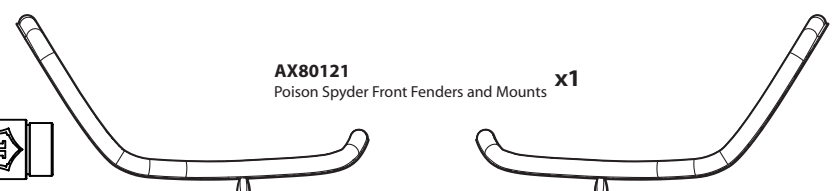
AX80123
Jeep Wrangler Cage Top and Accessories **x1**



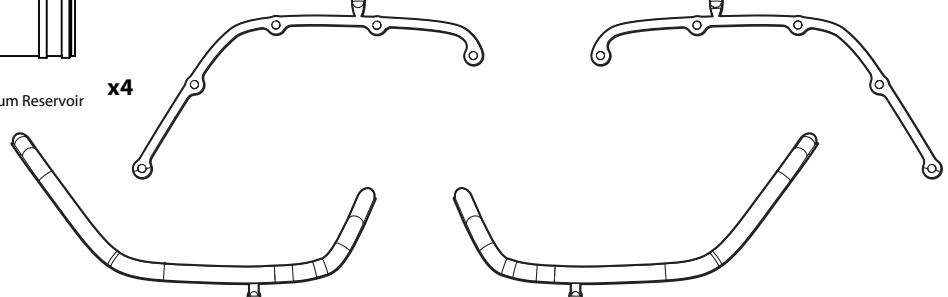
AX30130
Icon Aluminum Shock Body 10x38mm **x4**



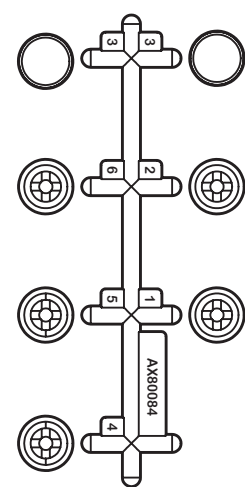
AX30131
Icon Aluminum Reservoir **x4**



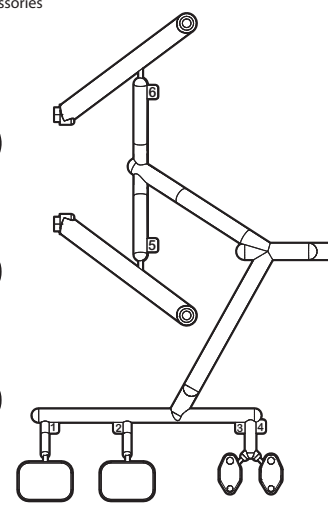
AX80121
Poison Spyder Front Fenders and Mounts **x1**



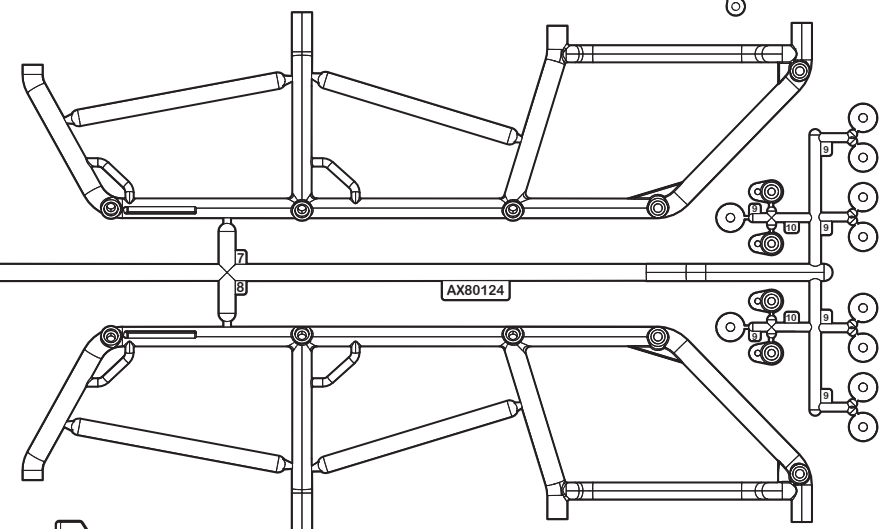
AX80122
Poison Spyder Rear Fenders and Mounts **x1**



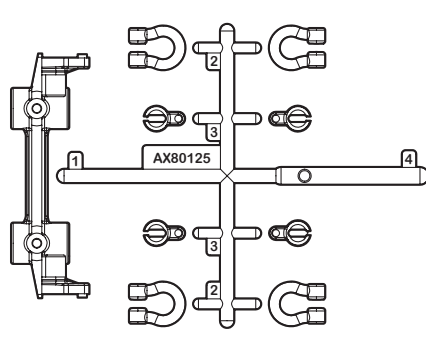
AX80084
UV Joint Driveshafts **x2**



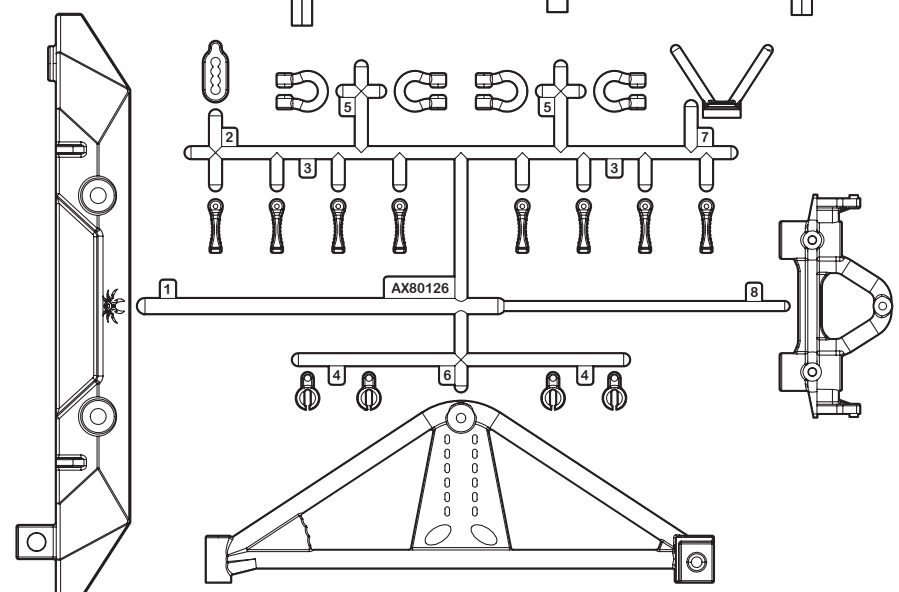
AX80124
Jeep Wrangler Cage Sides and Washers **x1**



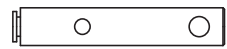
AX80126
Poison Spyder Rear Bumper and Spare Tire Carrier **x1**



AX80125
Poison Spyder Front Bumper **x1**



A Open Bag A



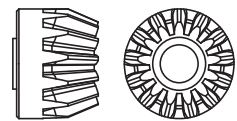
AX30408
Input Shaft 5x28mm **x1**



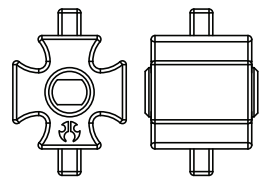
AX30163
Pin 2x10mm **x1**



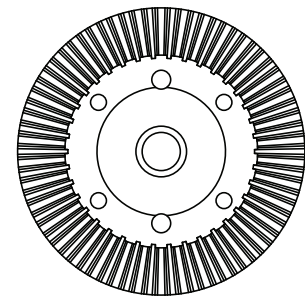
AXA1393
E2.5 e-clip **x1**



AX30393
13T Bevel Gear **x1**



AX30500
Heavy Duty Lovker **x1**



AX30392
38T Bevel Gear **x1**



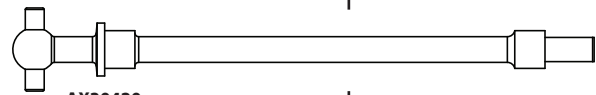
AXA015
M2x10mm **x4**



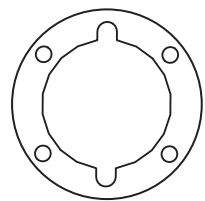
AXA1230
Bearing 10x15x4mm **x2**



AXA1221
Earing 5x11x4mm **x2**



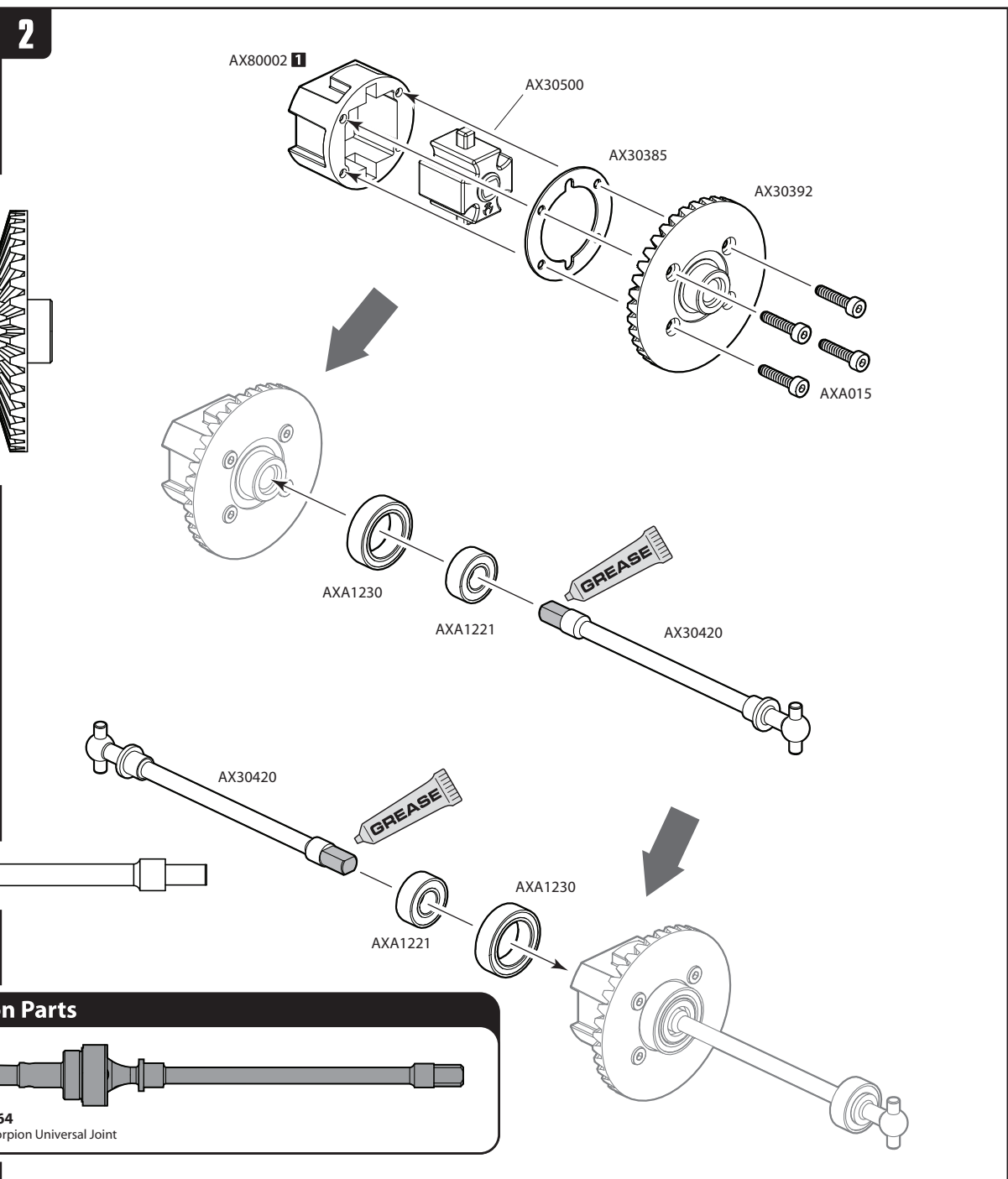
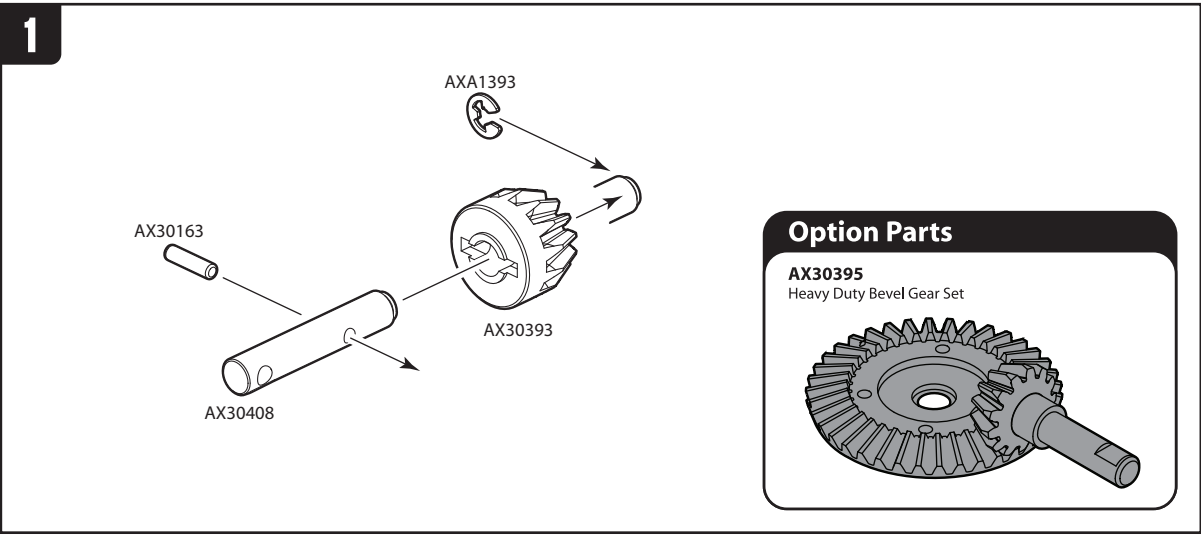
AX30420
Solid Axle Dogbone 6x74mm **x2**

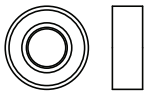


AX30385
Diff Gasket 16x25x0.5mm **x1**

Option Parts

AX30464
AX10 Scorpion Universal Joint





AXA1221
Bearing 5x11x4mm **x2**



AXA085
M3x10mm **x2**

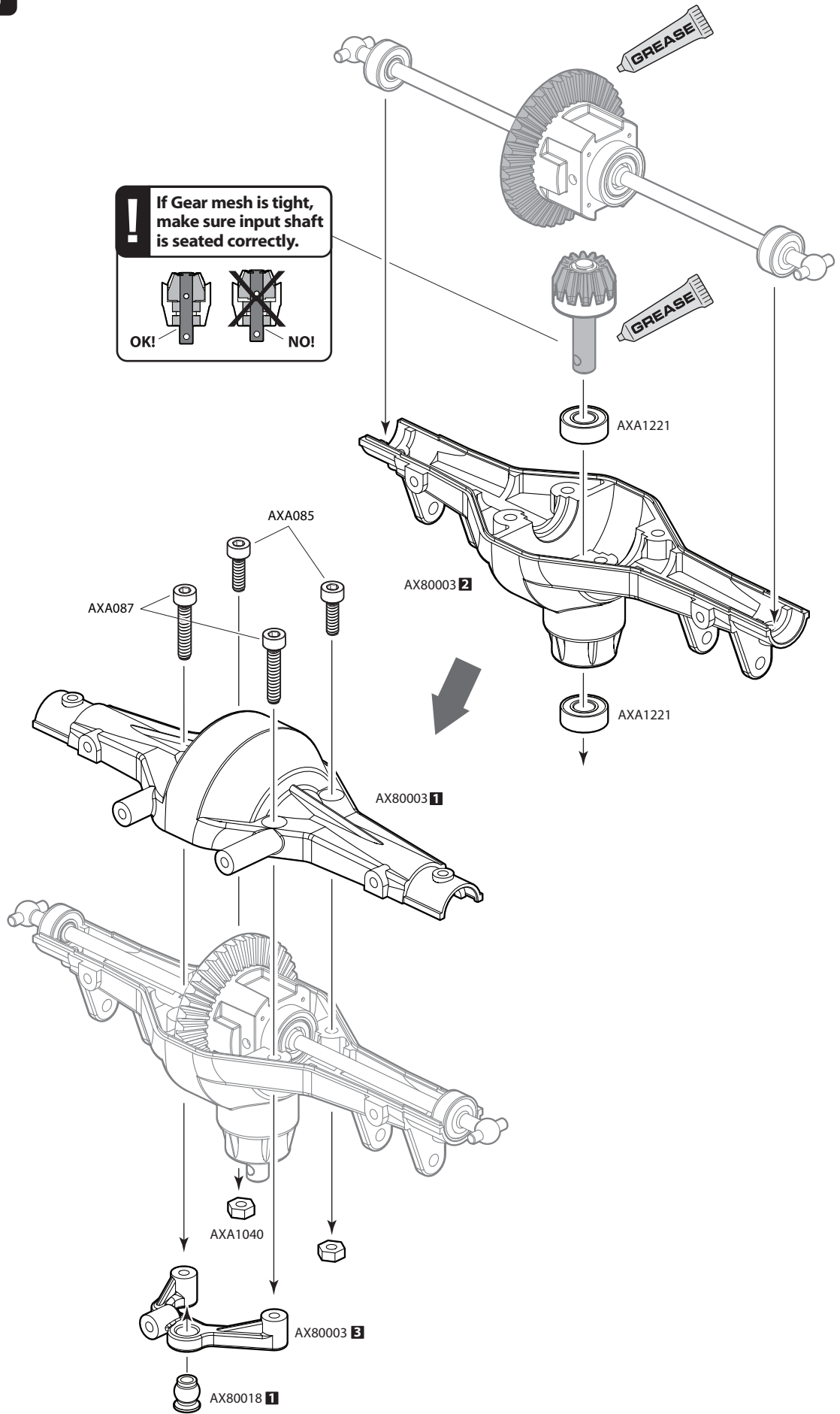


AXA087
M3x16mm **x2**

AXA1040
M3 Thin Hex Nut **x2**

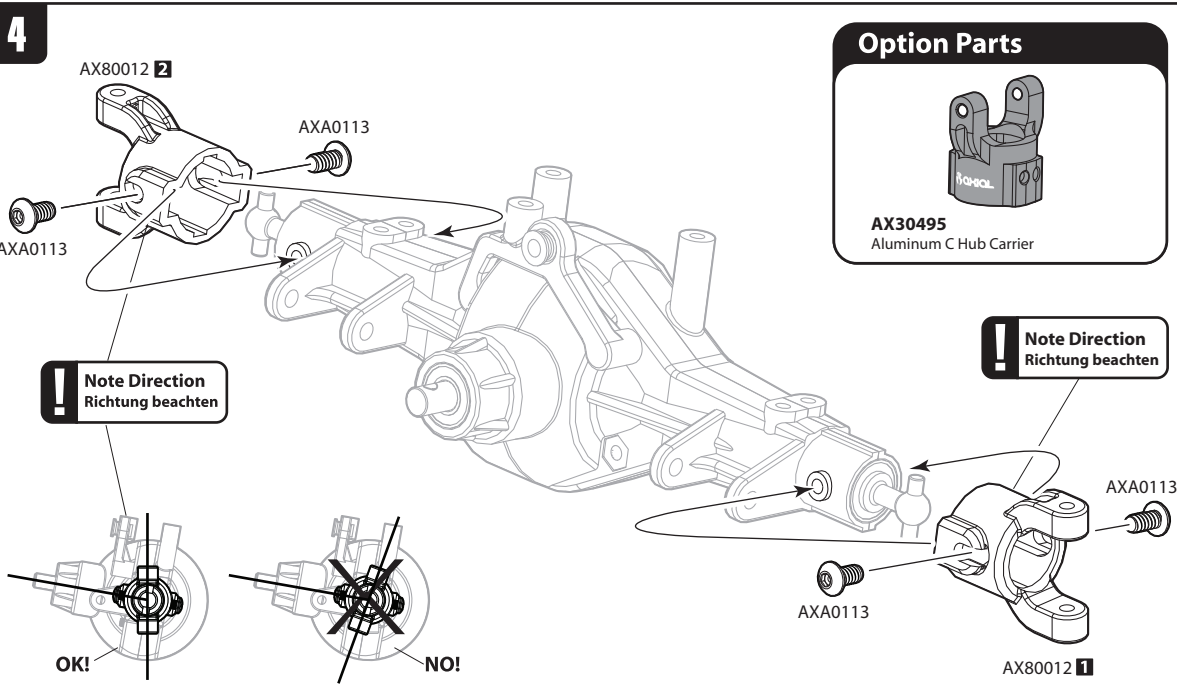
! If Gear mesh is tight, make sure input shaft is seated correctly.

OK! NO!





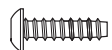
AXA0113
M3x6mm **x4**



Option Parts

AX30495
Aluminum C Hub Carrier

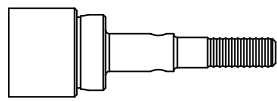
AX30450
Flange Pipe 3x4.5x5.5 **x4**



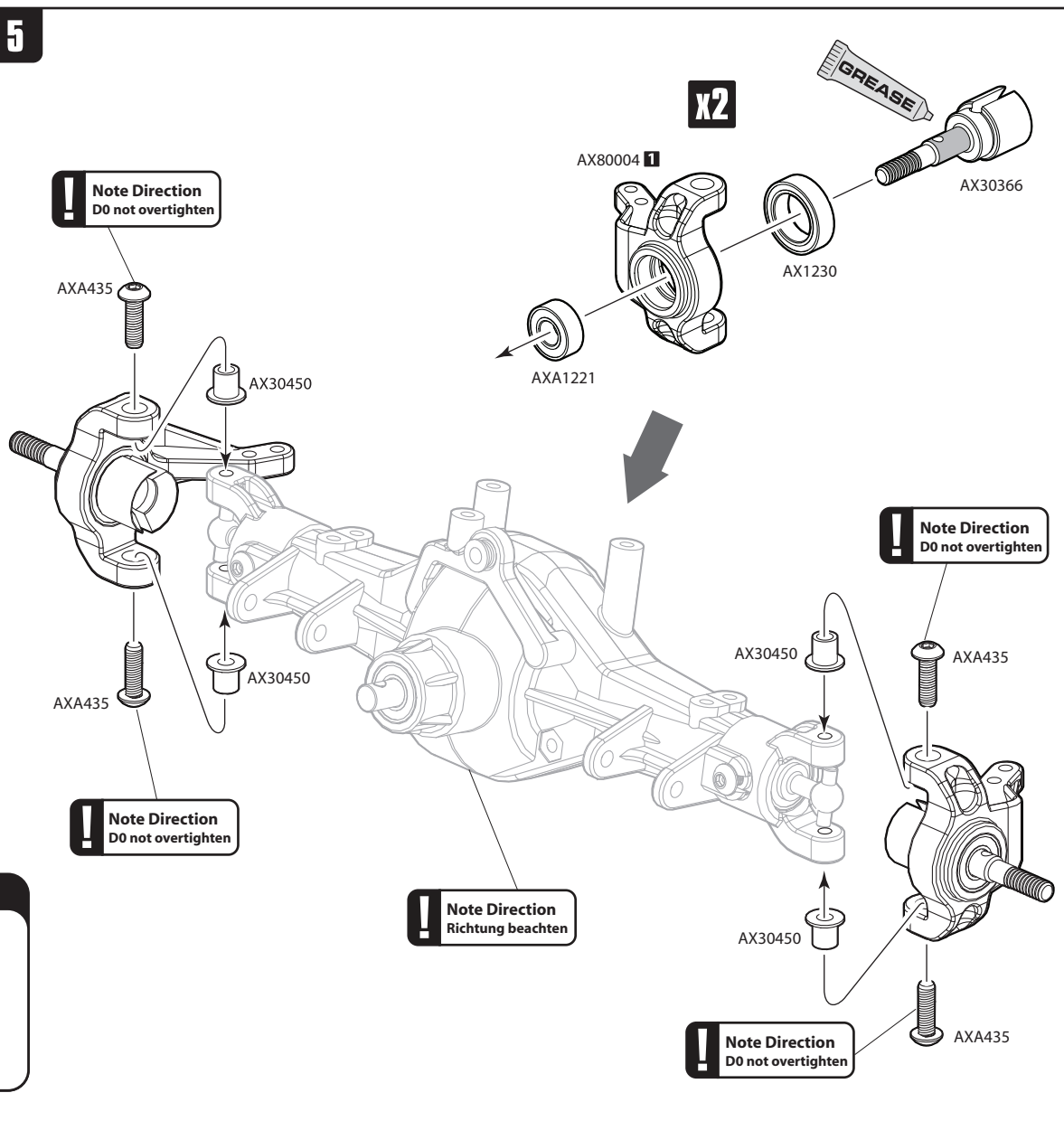
AXA435 **x4**
M3x10mm

AXA1221 **x2**
Bearing 5x11x4mm

AXA1230 **x2**
Bearing 10x15x4mm



AX30366 **x2**
Axle 5x35mm



Option Parts

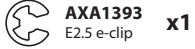
AX30496
Aluminum Knuckle



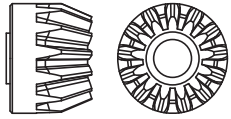
AX30408
Input Shaft 5x28mm **x1**



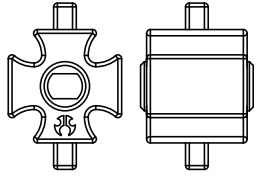
AX30163
IPin 2x10mm **x1**



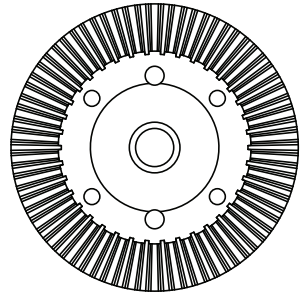
AXA1393
E2.5 e-clip **x1**



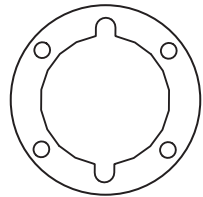
AX30393
13T Bevel Gear **x1**



AX30500
Heavy Duty Lovker **x1**



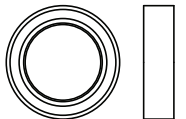
AX30392
38T Bevel Gear **x1**



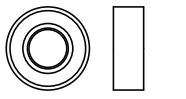
AX30385
Diff Gasket 16x25x0.5mm **x1**



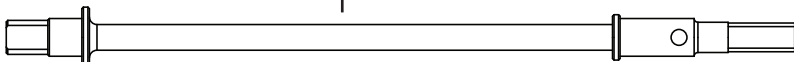
AXA015
M2x10mm **x4**



AXA1230
Bearing 10x15x4mm **x2**

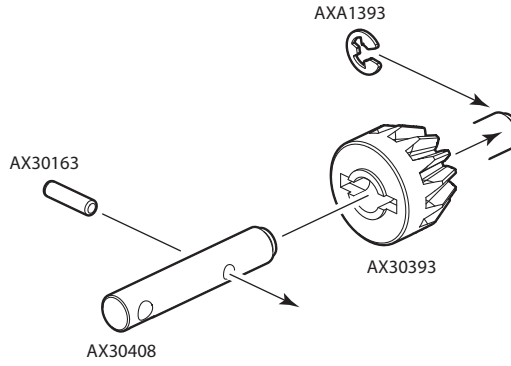


AXA1221
Bearing 5x11x4mm **x2**



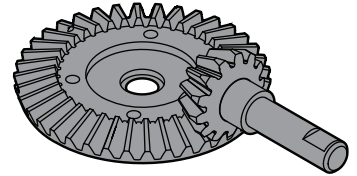
AX30421
Solid Axle Dogbone 6x104.5mm **x2**

6

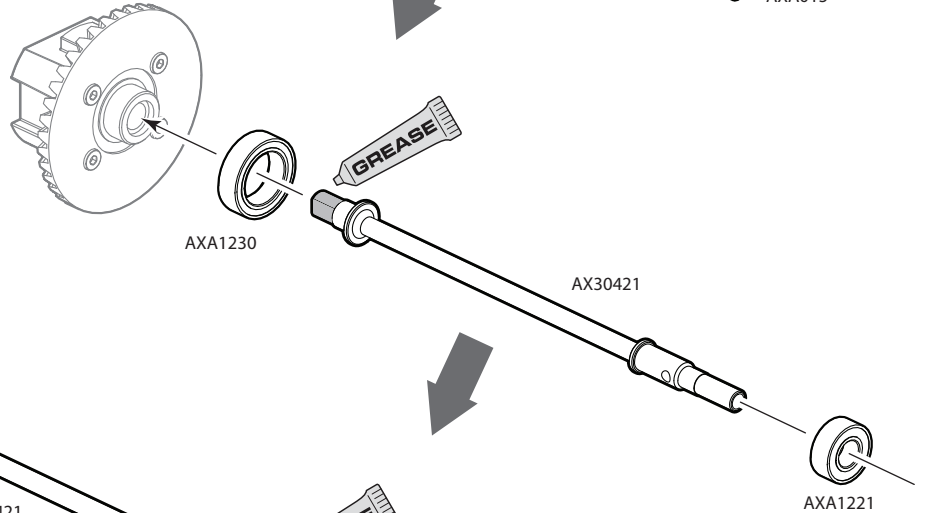
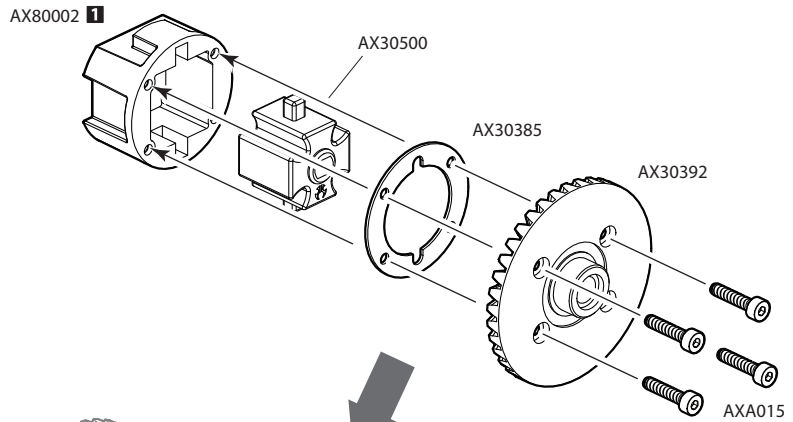


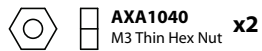
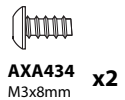
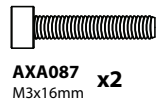
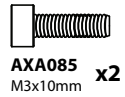
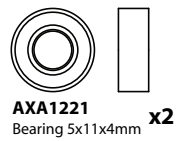
Option Parts

AX30395
Heavy Duty Bevel Gear Set

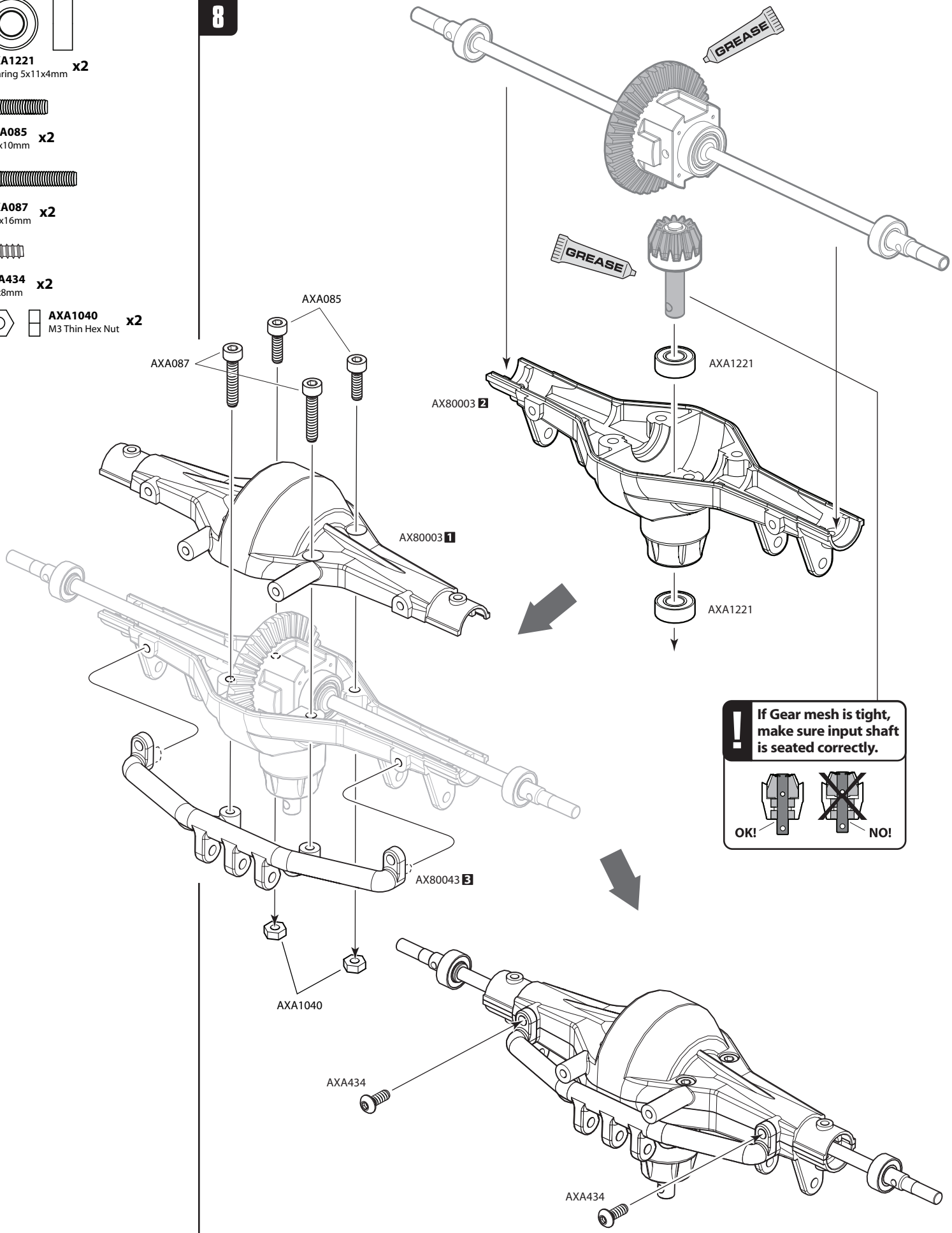


7





8



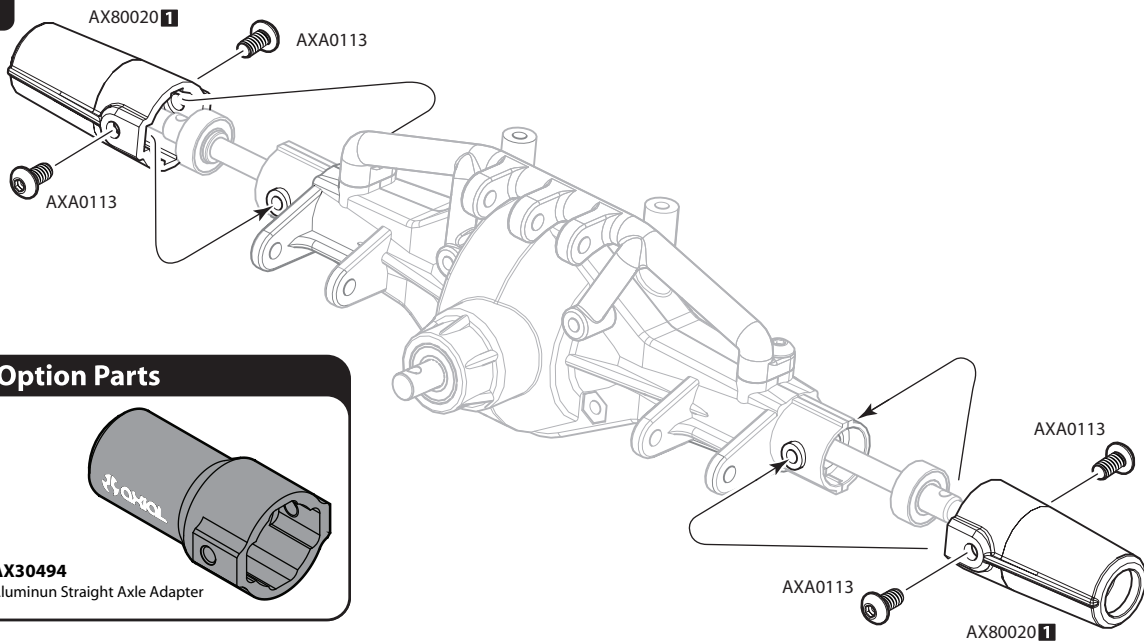
! If Gear mesh is tight, make sure input shaft is seated correctly.

OK! NO!



AXA0113
M3x6mm Hex Socket Button Head **x4**

9



B

Open Bag B

10



AX30463
Universal joint Axle Pin holder **x4**



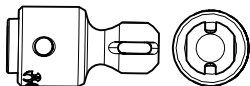
AX30166
Pin 1.5x11mm **x4**



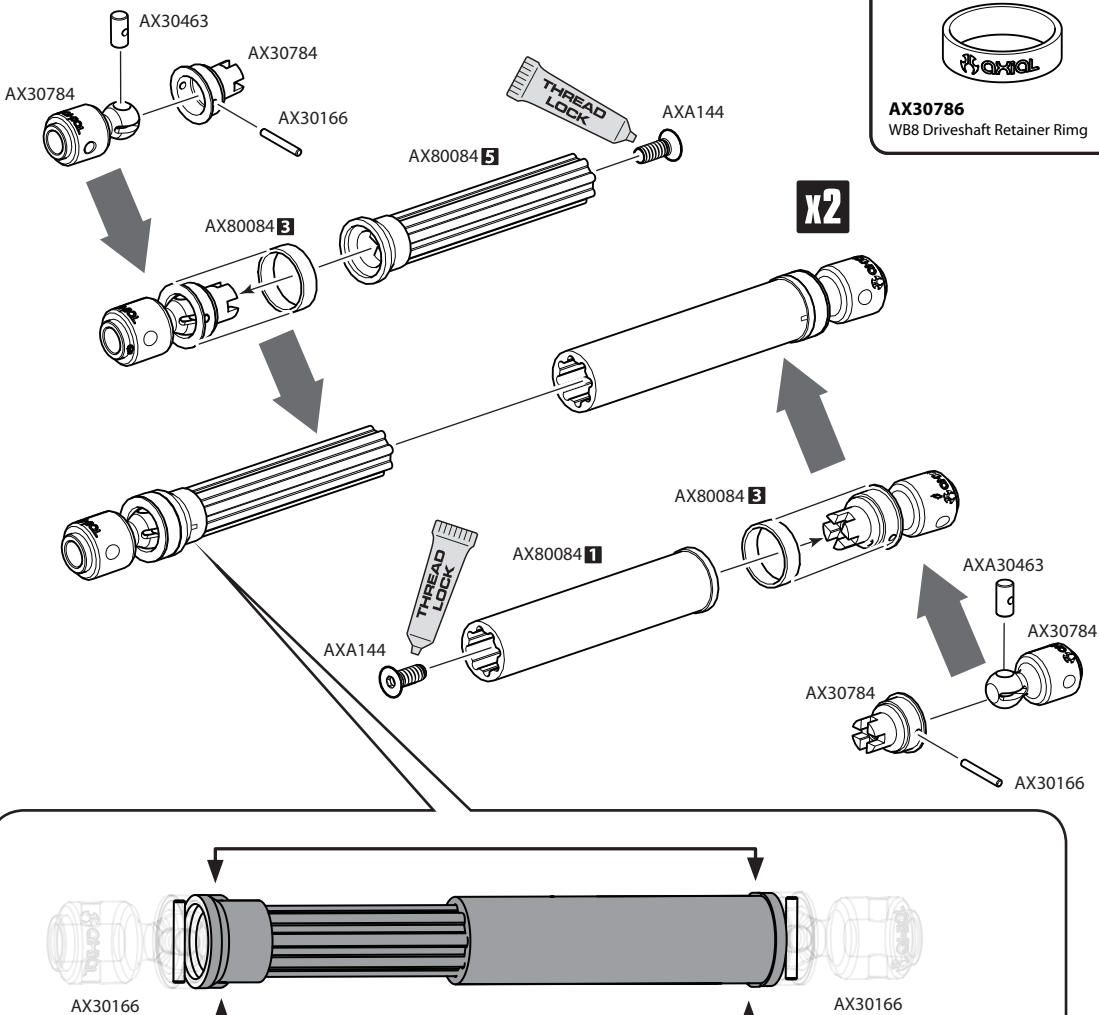
AXA144
M3x8mm **x4**



AX30784
Drive shaft Coupler **x4**



AX30784
Drive shaft Output **x4**



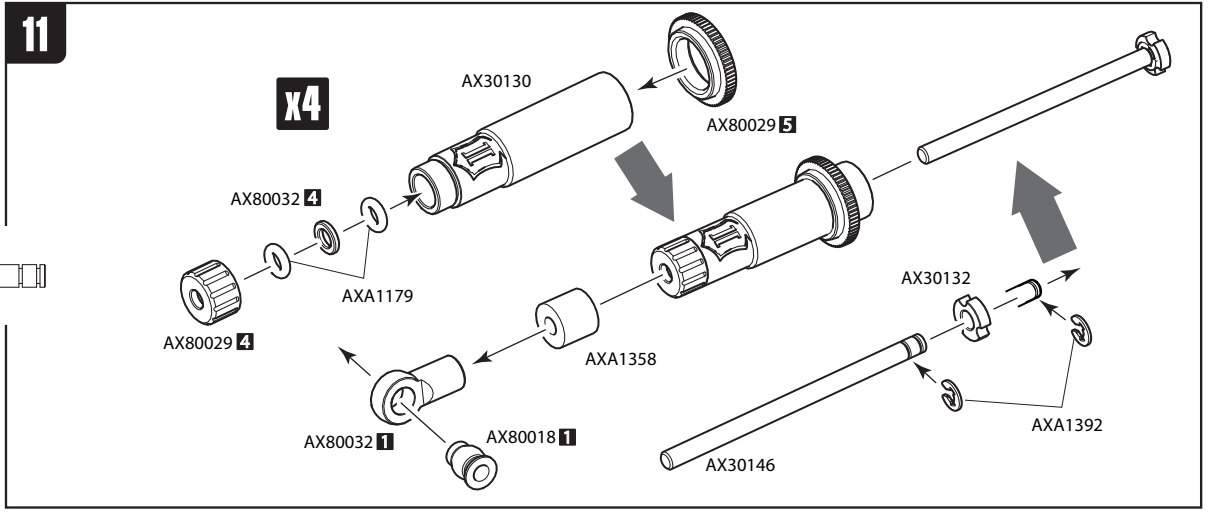
Note: Align marks when installing

AXA1392 x8
E2 e-clip

AXA1179 x8
O-Ring 2.5x1.5mm

AXA1358 x4
Shock Damper 3x7x8

AX30146 x4
Shock Shaft 3x50mm

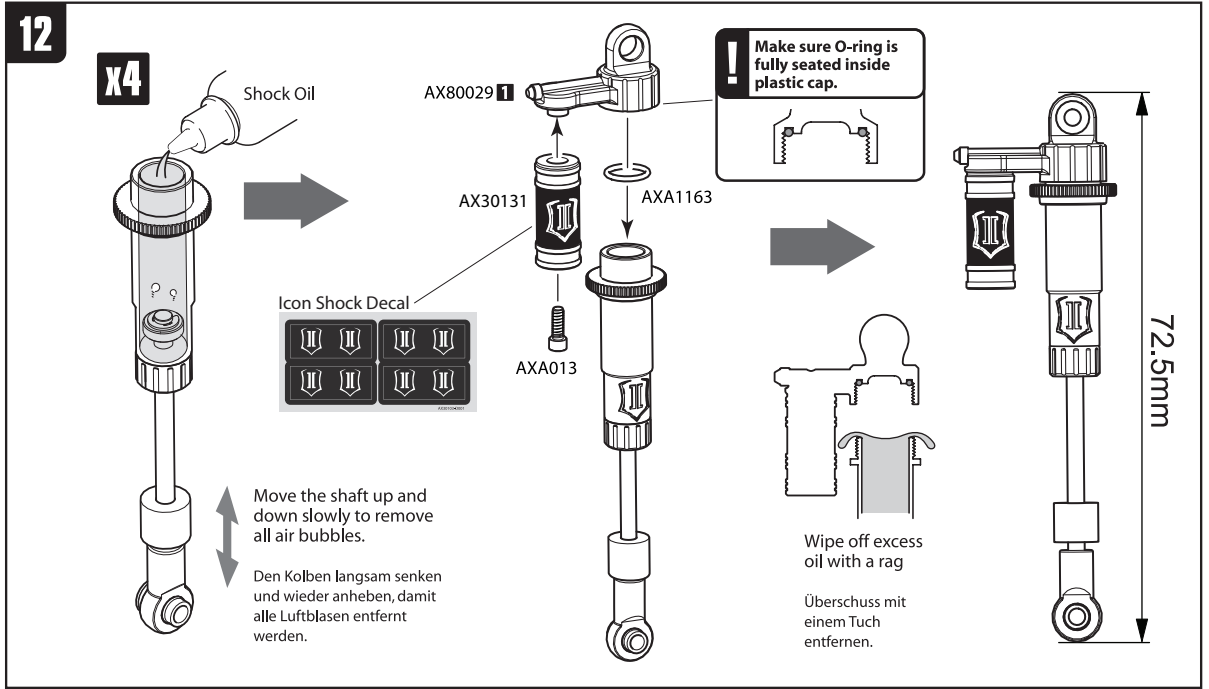


Option Parts

AXA30115
10mm Aluminum Preload Collar

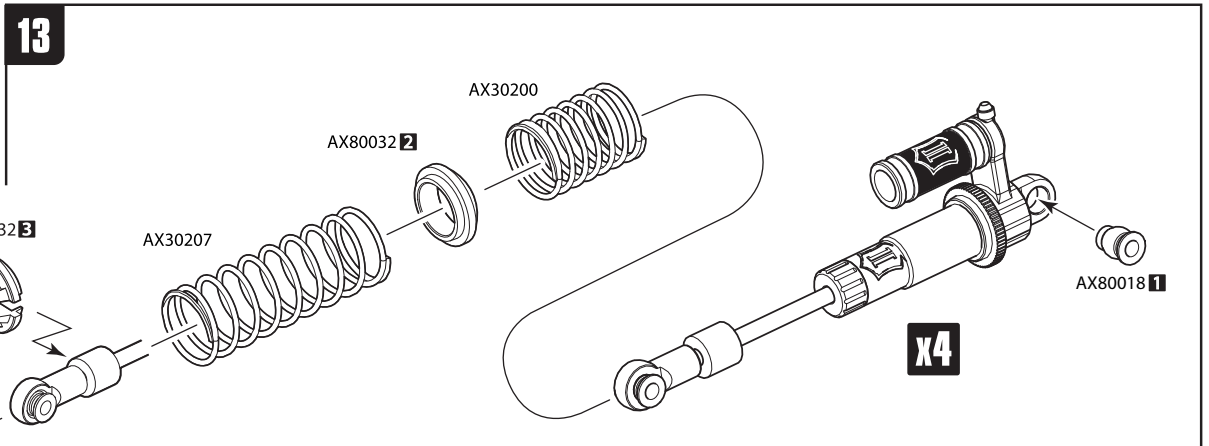
AXA1163 x4
O-Ring 7x1mm

AXA013 x4
M2x6mm



AX30207 x4
Spring 14.5x40mm

AX30200 x4
Spring 14.5x20mm



Option Parts

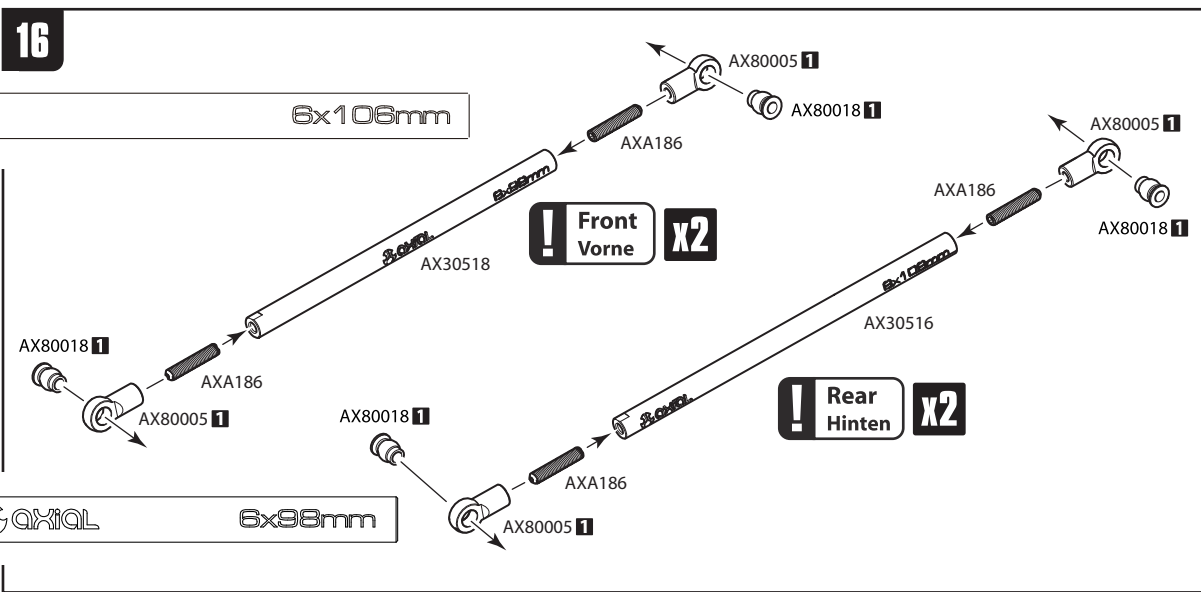
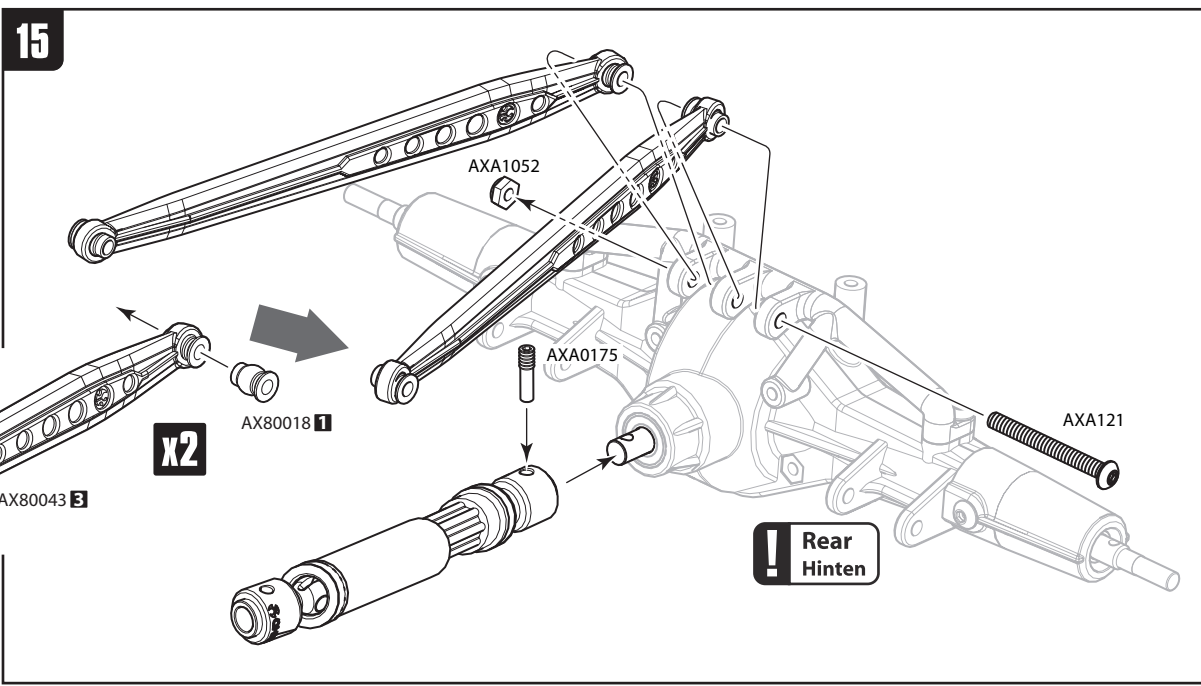
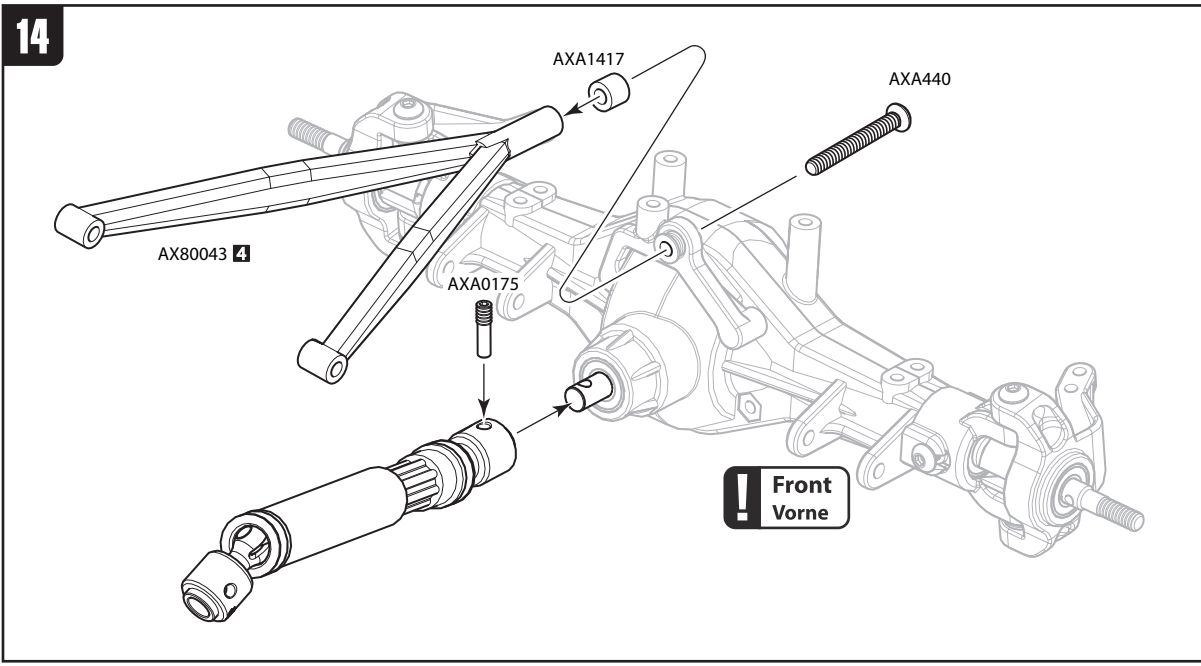
Spring

- AX30200 12.5x20mm 3.6 lbs/in - Super Soft (Red)
- AX30201 12.5x20mm 4.32 lbs/in - Soft (White)
- AX30202 12.5x20mm 5.44 lbs/in - Medium (Green)
- AX30203 12.5x20mm 6.53 lbs/in - Firm (Yellow)
- AX30204 12.5x20mm 7.95 lbs/in - Super Firm (Blue)

Spring

- AX30205 12.5x40mm 2.7 lbs/in - Super Soft (Red)
- AX30206 12.5x40mm 3.6 lbs/in - Soft (White)
- AX30207 12.5x40mm 4.08 lbs/in - Medium (Green)
- AX30208 12.5x40mm 5.44 lbs/in - Firm (Yellow)
- AX30209 12.5x40mm 6.81 lbs/in - Super Firm (Blue)

C Open Bag C



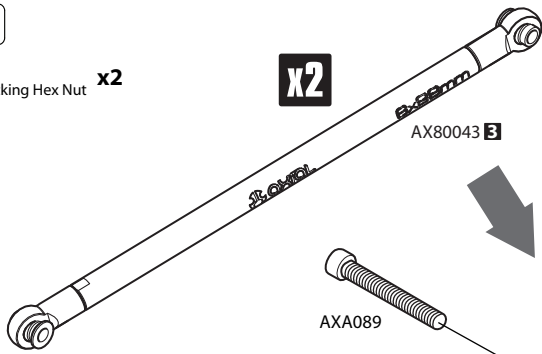


AXA089 x2
M3x25mm



AXA1053 x2
M3 Nylon Locking Hex Nut

17

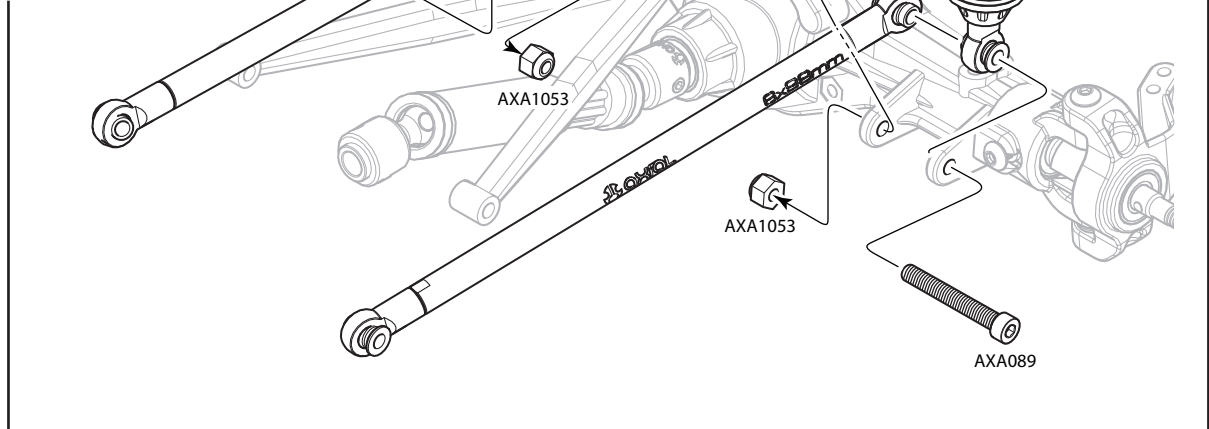


x2

AX80043 **B**

AXA089

! Front
Vorne



AXA1053

AXA1053

AXA089

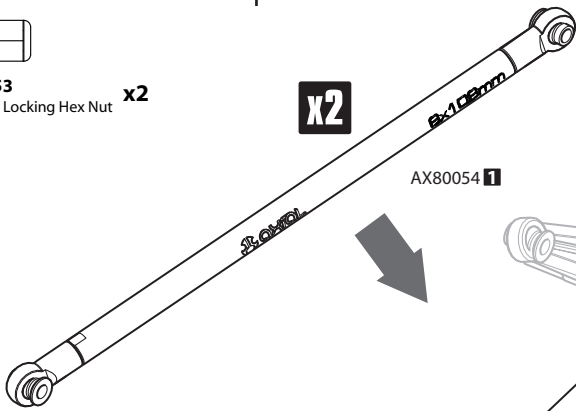


AXA089 x2
M3x25mm



AXA1053 x2
M3 Nylon Locking Hex Nut

18

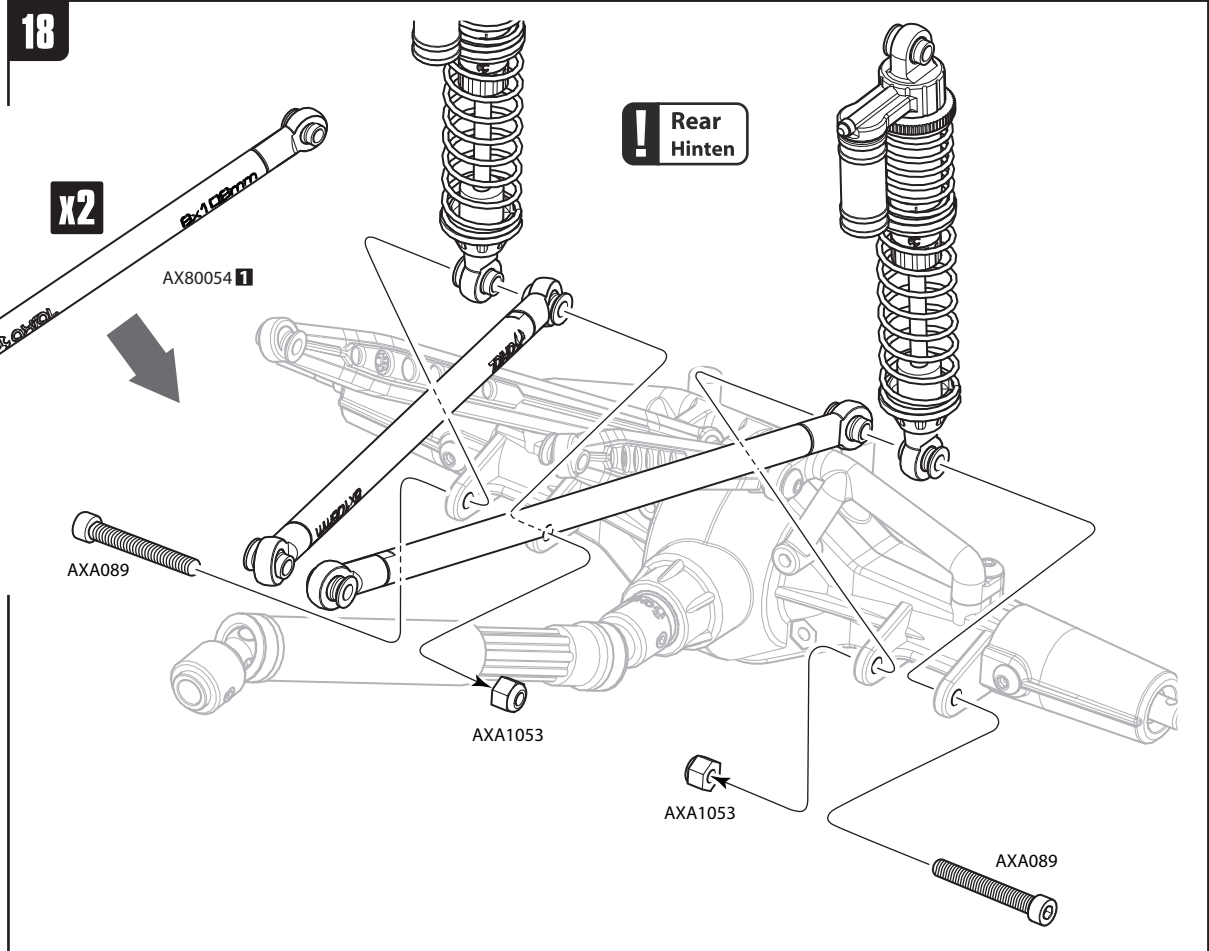


x2

AX80054 **I**

AXA089

! Rear
Hinten



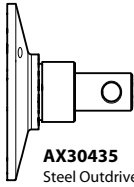
AXA1053

AXA1053

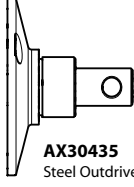
AXA089

D Open Bag D

19



AX30435
Steel Outdrive Shaft **x1**



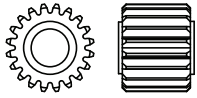
AX30435
Steel Outdrive Shaft **x1**



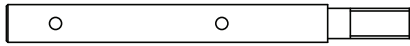
AXA013
M2x6mm **x3**



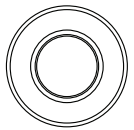
AX30162
Pin 1.5x8mm **x1**



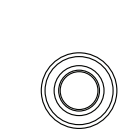
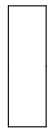
AX30394
20T Drive Gear **x1**



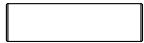
AX30198
Drive gear Shaft 5x53.5 **x1**



AXA1225
Bearing 8x16x5mm **x2**



AXA1218
Bearing 5x10x4mm **x4**



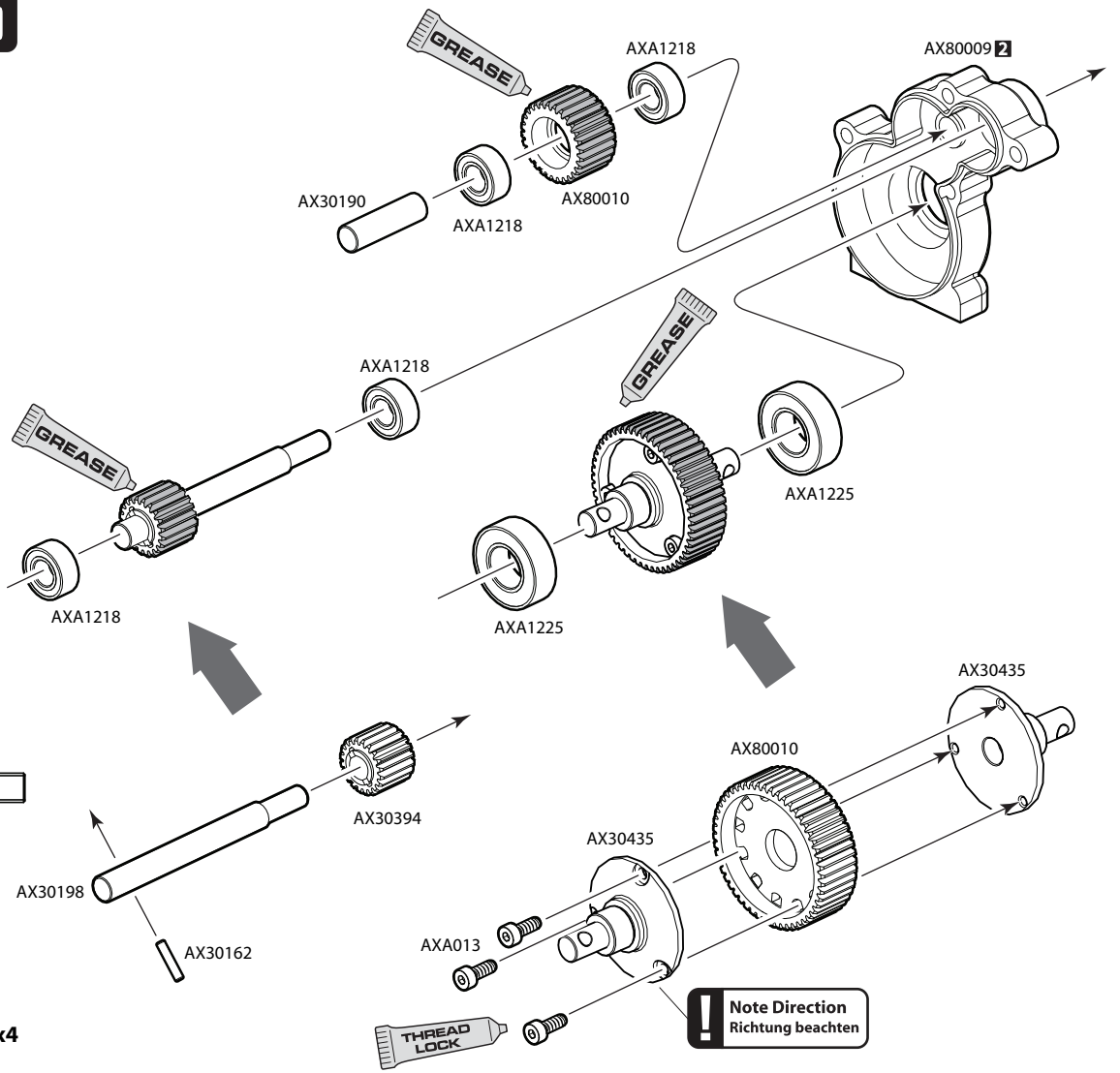
AX30190
Shaft 5x18mm **x1**



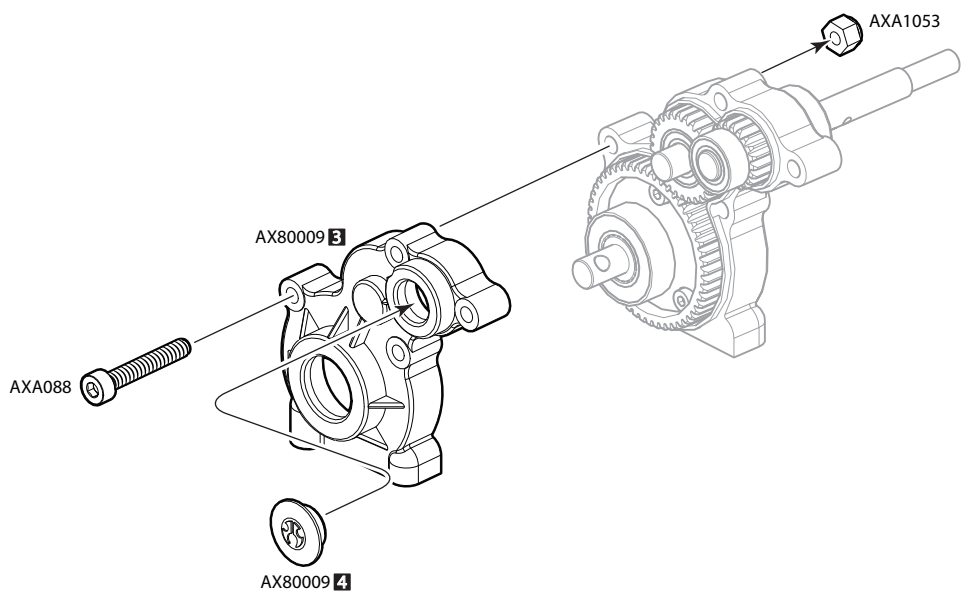
AXA088
M3x20mm **x1**



AXA1053
M3 Nylon Locking Hex Nut **x1**

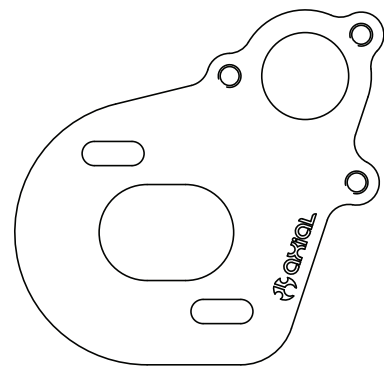


20

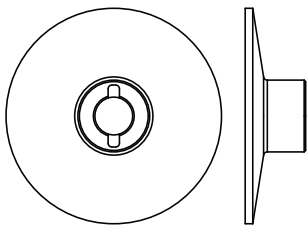




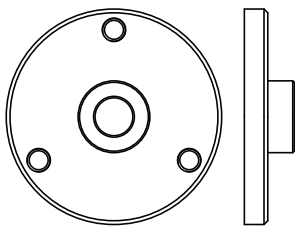
AXA089 x3
M3x25mm



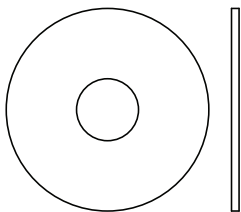
AX30491 x1
AX10 Scorpion Motor Plate



AX30410 x1
Inner Slipper Plate



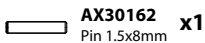
AX30411 x1
Outer Slipper Plate



AX30412 x1
Slipper Pad 27x8x1mm



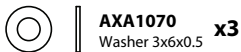
AX30413 x1
Spring 8.5x12



AX30162 x1
Pin 1.5x8mm



AX1045 x1
M4 Nylon Lock Nut



AXA1070 x3
Washer 3x6x0.5

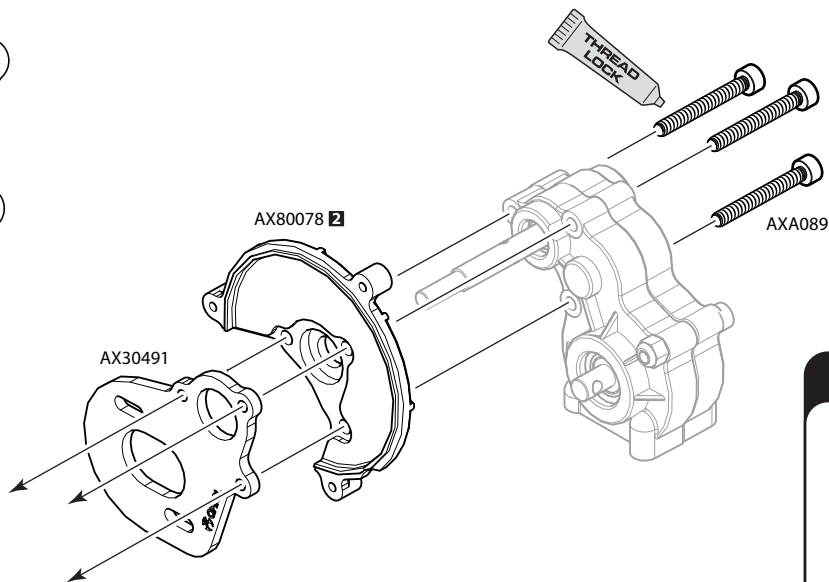


AXA1071 x1
Washer 4x8x0.5mm



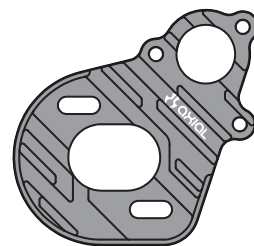
AXA1091 x1
Washer 5x10x0.5mm

21

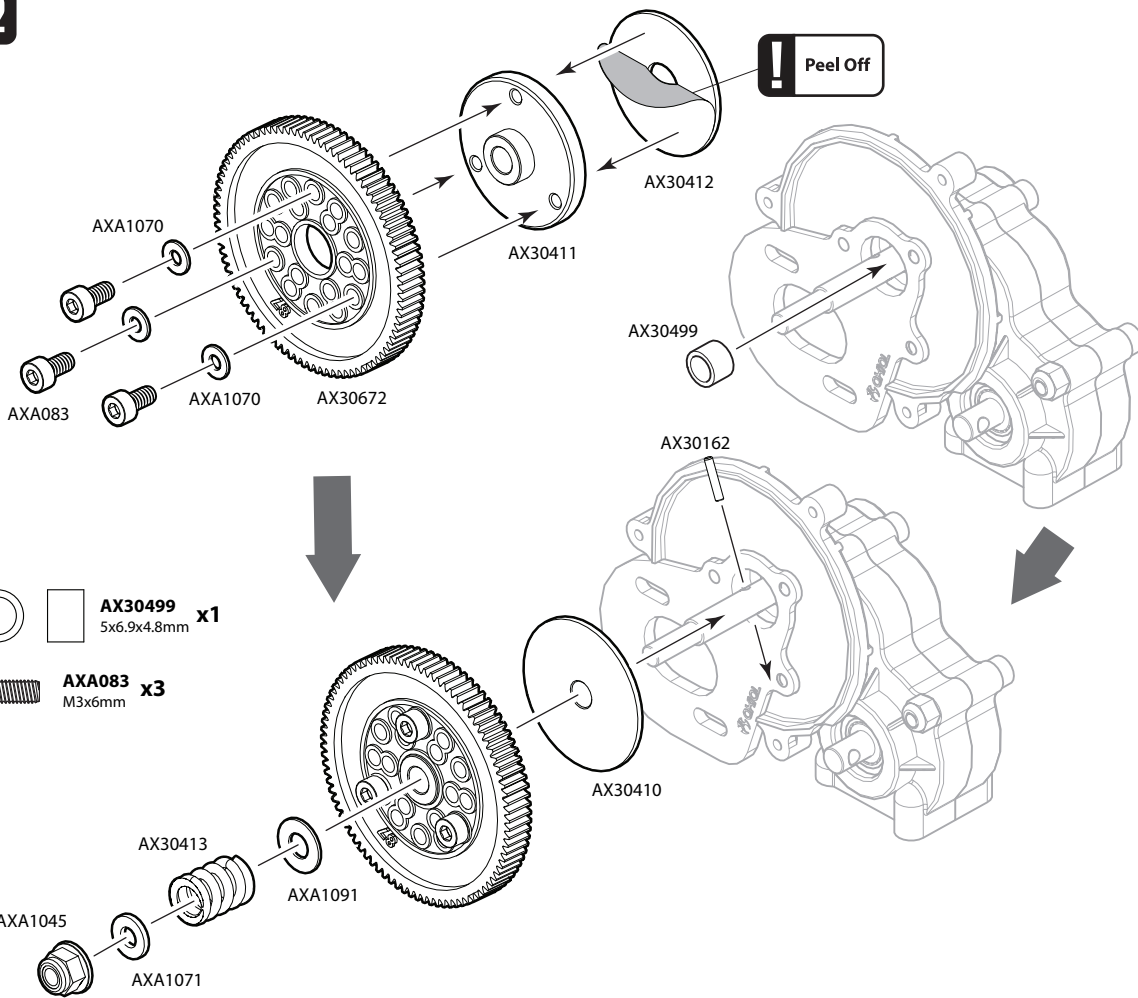


Option Parts

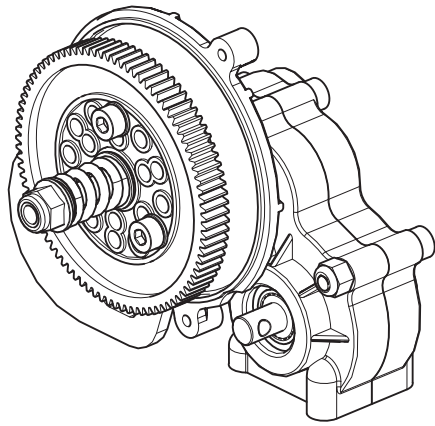
AX30860
Machined Motor Plate



22



23



Slipper Clutch Setup

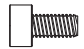

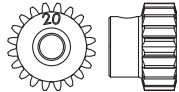


To set the slipper clutch, tighten the nut (⌚ Clockwise) until it stops then loosen it 2 turns (⌚ Counter clockwise). The spur gear should slip when firm pressure is applied. Do not over tighten the slipper clutch, damage may occur to the drivetrain.

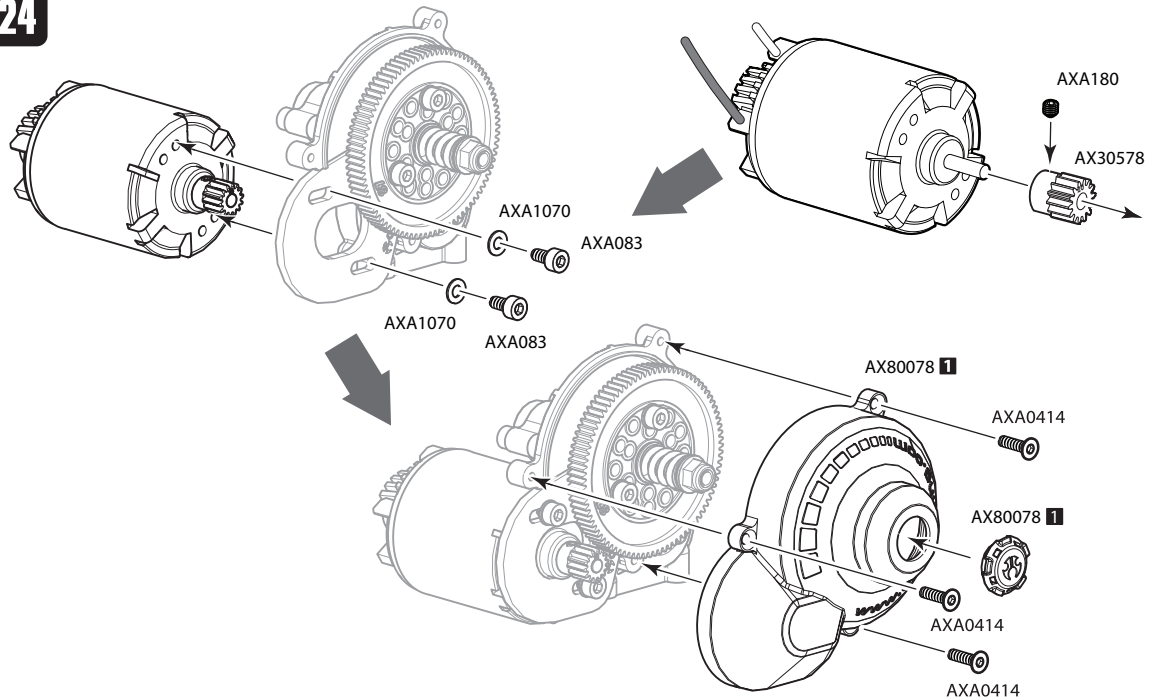
Testing the slipper clutch

1. Hold the tires
2. Use your fingers to rotate the spur gear

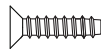

Note: The spur gear should slip when firm pressure is applied. If it does not slip, loosen the nut in 1/2 turn increments

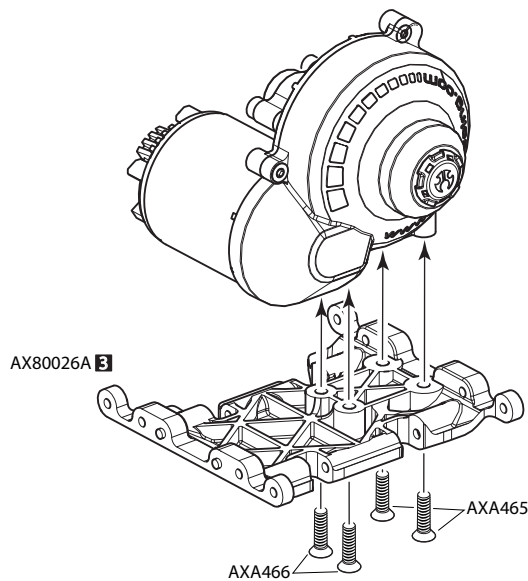
24

-  **AXA083** x2
M3x6mm
-  **AXA1070** x2
Washer 3x6x0.5mm
-  **AX30578** x1
Pinion 48DP 20T
-  **AXA180** x1
M3x3mm
-  **AXA0414** x3
M2.6x10mm



25

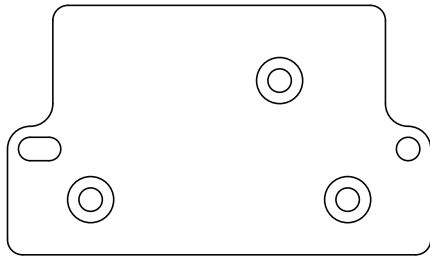
-  **AXA466** x2
M3x12mm
-  **AXA465** x2
M3x10mm



E Open Bag E

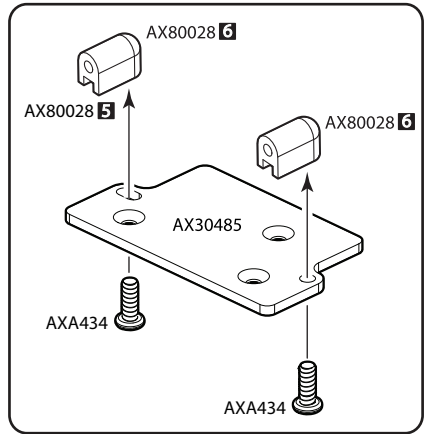
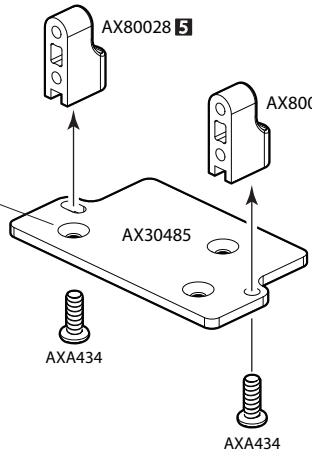
26

AXA434
M3x8mm **x2**



AX30485
AX10 Scorpion Servo Plate **x1**

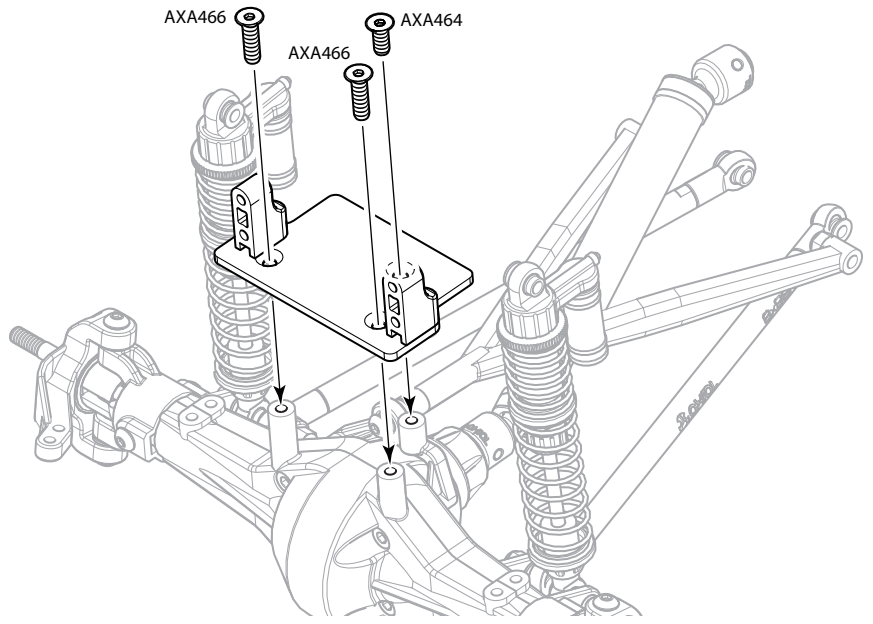
Note Direction
Richtung beachten



27

AXA464
M3x8mm Hex Socket Tapping Flat Head **x1**

AXA466
M3x12mm Hex Socket Tapping Flat Head **x2**

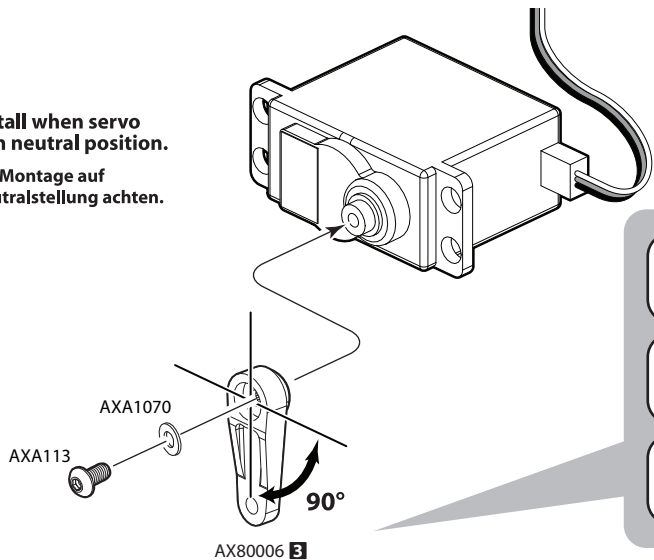


28

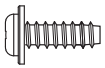
AXA113
M3x6mm **x1**

AXA1070
Washer 3x6x0.5mm **x1**

Install when servo is in neutral position.
Bei Montage auf Neutralstellung achten.

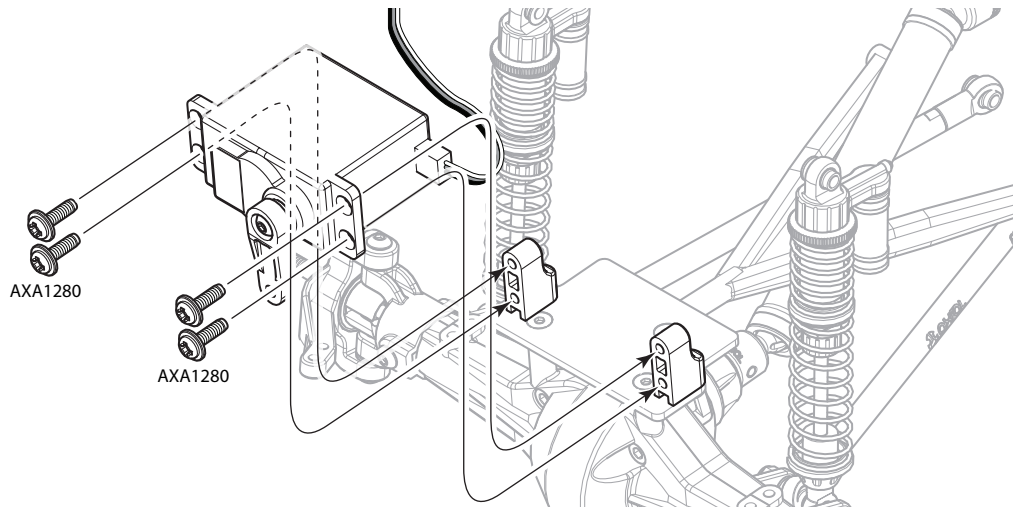


- AX80006 23** Airtronics / JR / KO
- AX80006 24** Hitec
- AX80006 25** Futaba



AXA1280 x4
M3x10mm

29

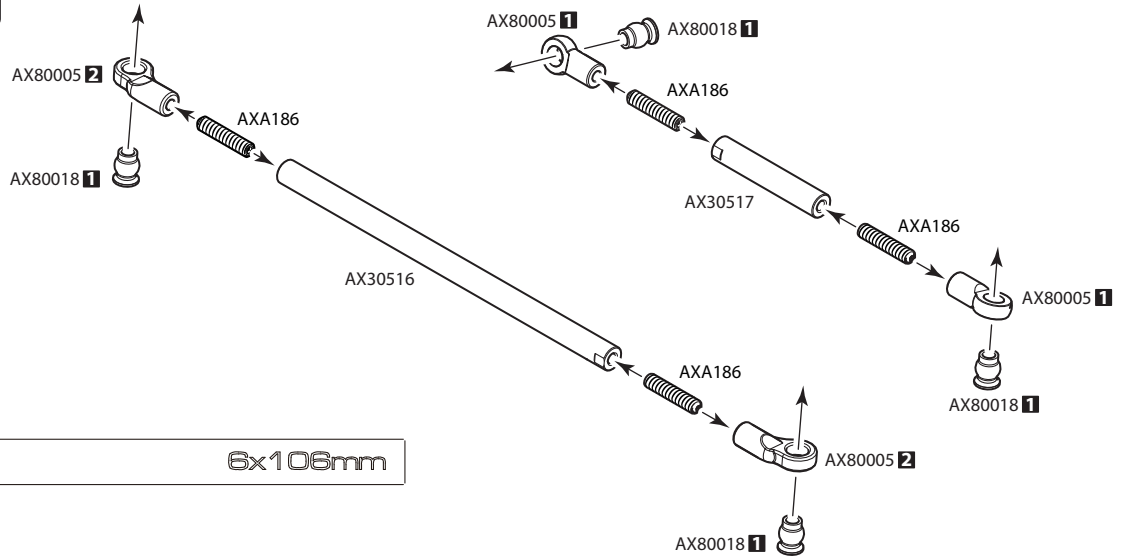


AXA186 x4
3x16mm Set Screw



AX30517 x1
6x33mm

30



6x106mm

AX30516 x1
6x106mm



AXA117 x2
M3x15mm



AXA120 x1
M3x25mm Hex Socket Button Head

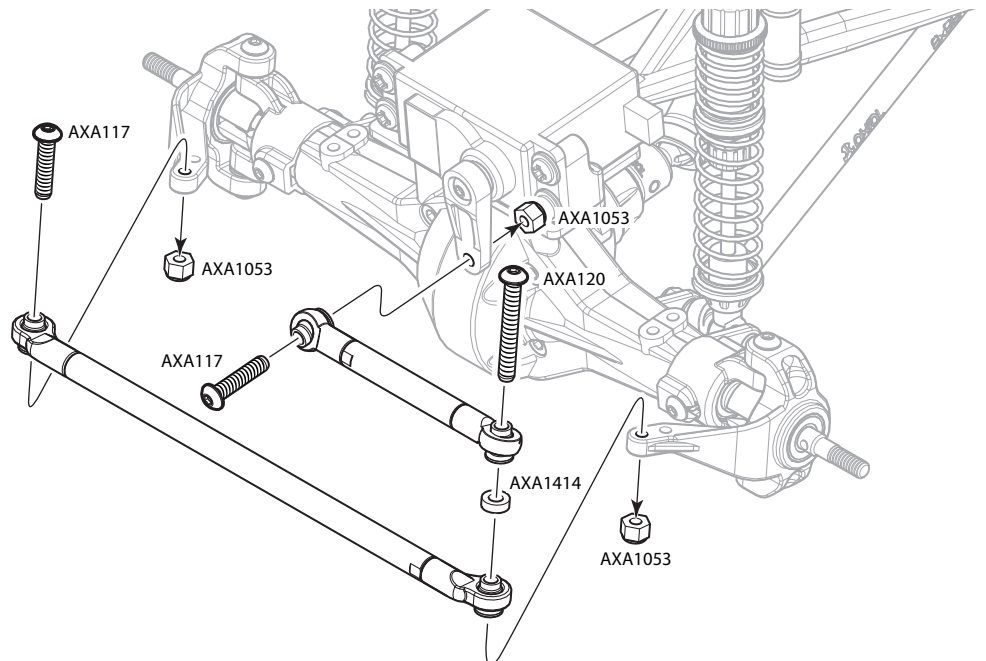


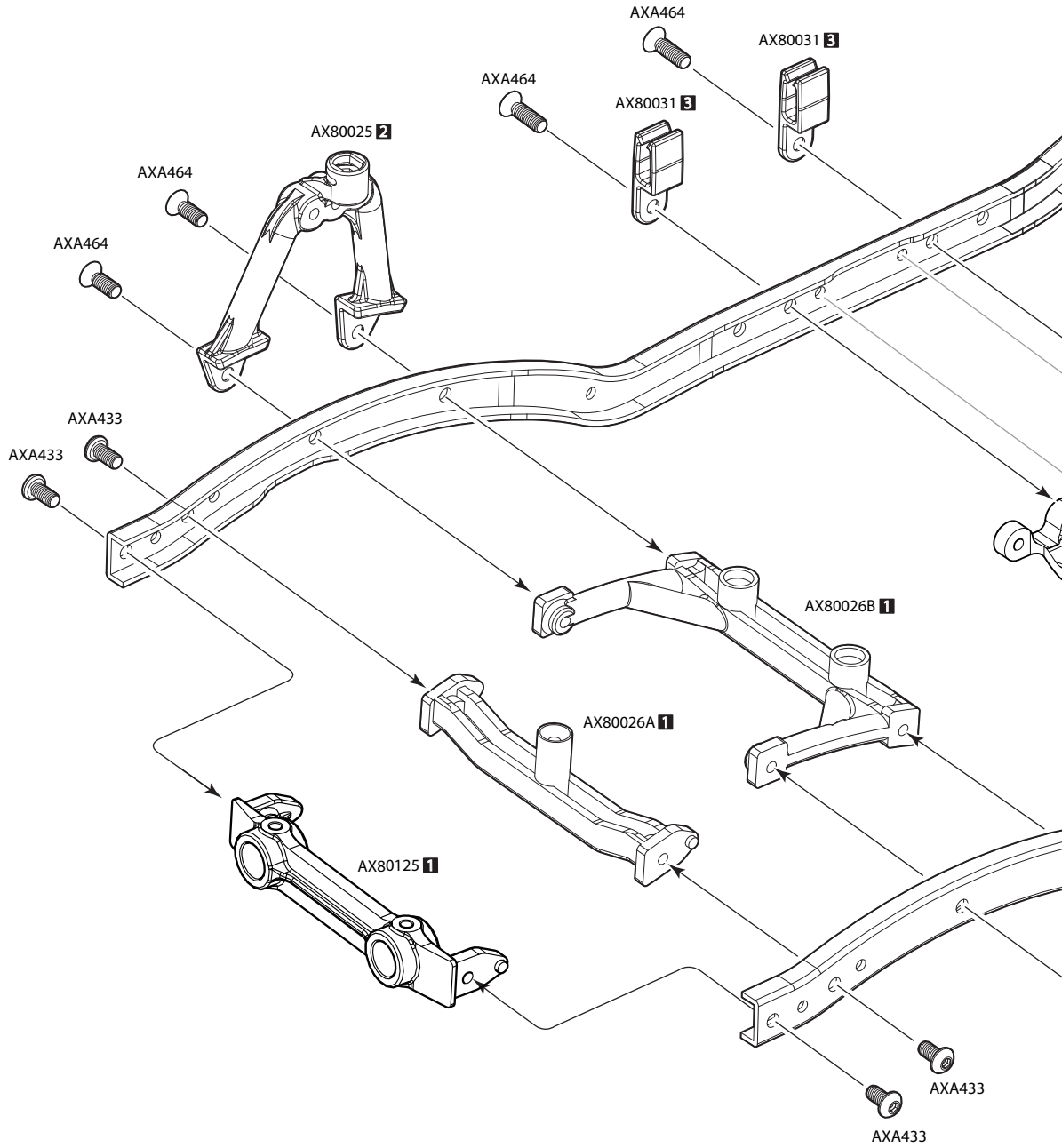
AXA1053 x3
M3 Nylon Locking Hex Nut

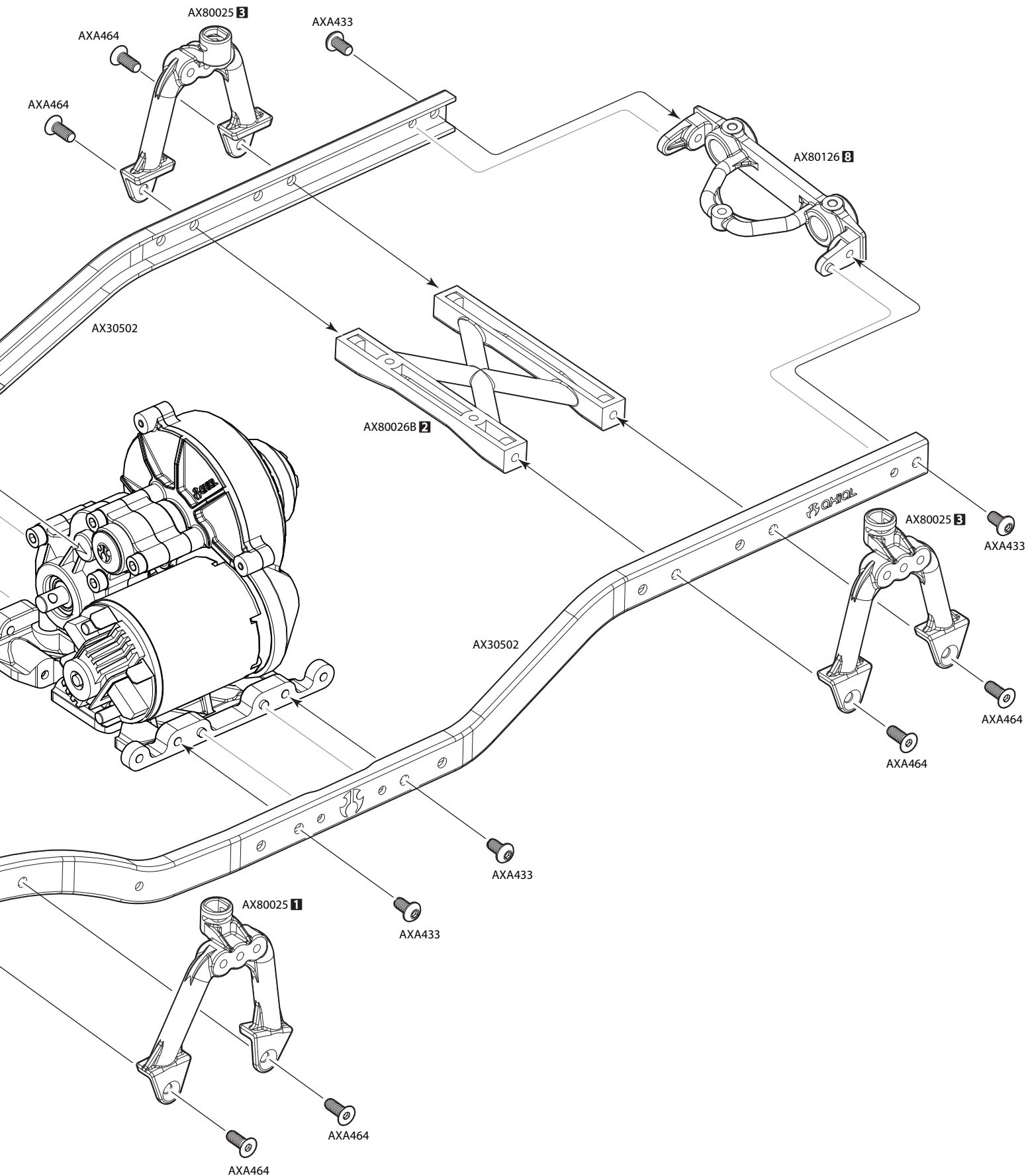


AXA1414 x1
6x2x3mm

31



**AXA433** x8
M3x6mm**AXA464** x10
M3x8mm



33



AXA119 x2
M3x20mm



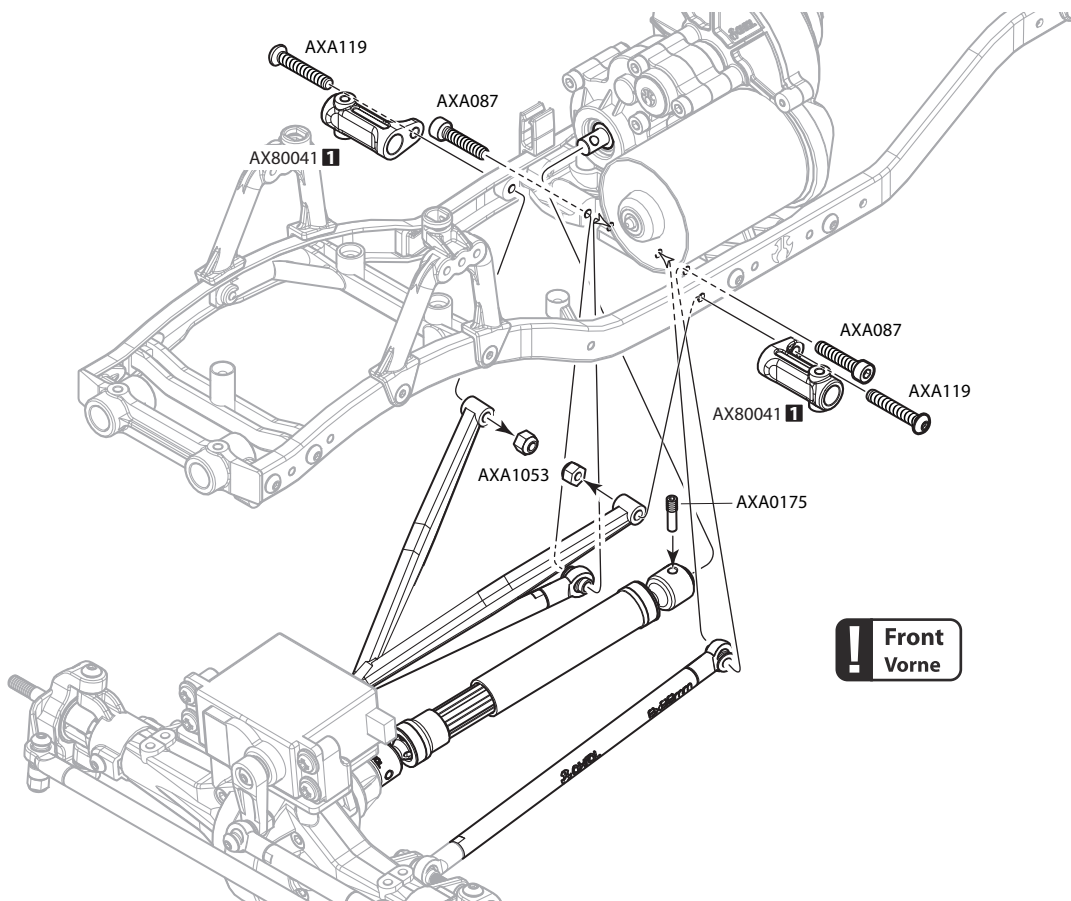
AXA087 x2
M3x16mm



AXA1053 x2
M3 Nyion Lock Nut



AXA0175
Screw Shaft M3x2.5x11mm x1



! Front
Vorne

34



AXA119 x2
M3x20mm



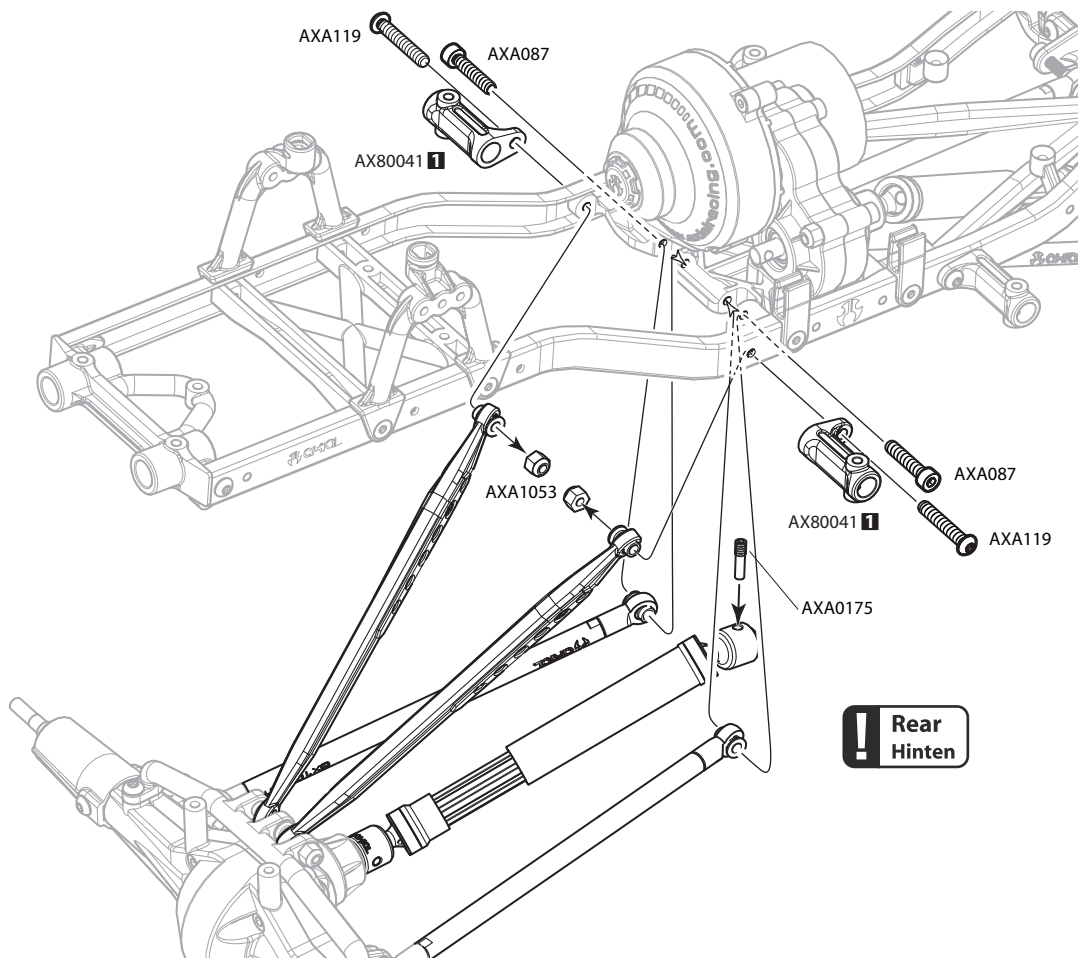
AXA087 x2
M3x16mm



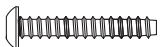
AXA1053 x2
M3 Nyion Lock Nut



AXA0175
Screw Shaft M3x2.5x11mm x1



! Rear
Hinten



AXA438
M3x18mm x2

35

AXA438



AX80032

AX80032

AXA438

! Front
Vorne



AXA438
M3x18mm x2

36

AXA438



AX80032

AX80032

AXA438

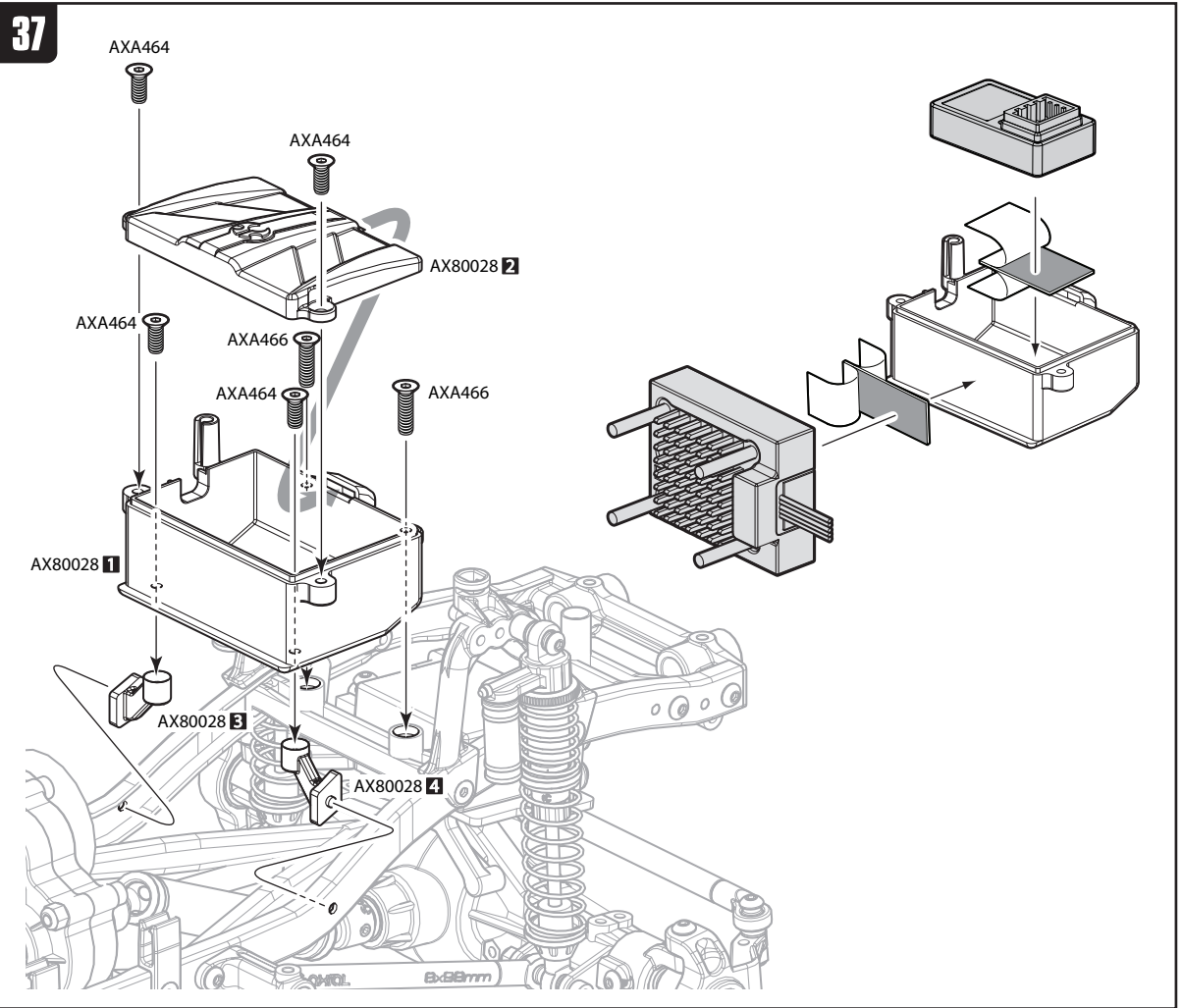
! Rear
Hinten



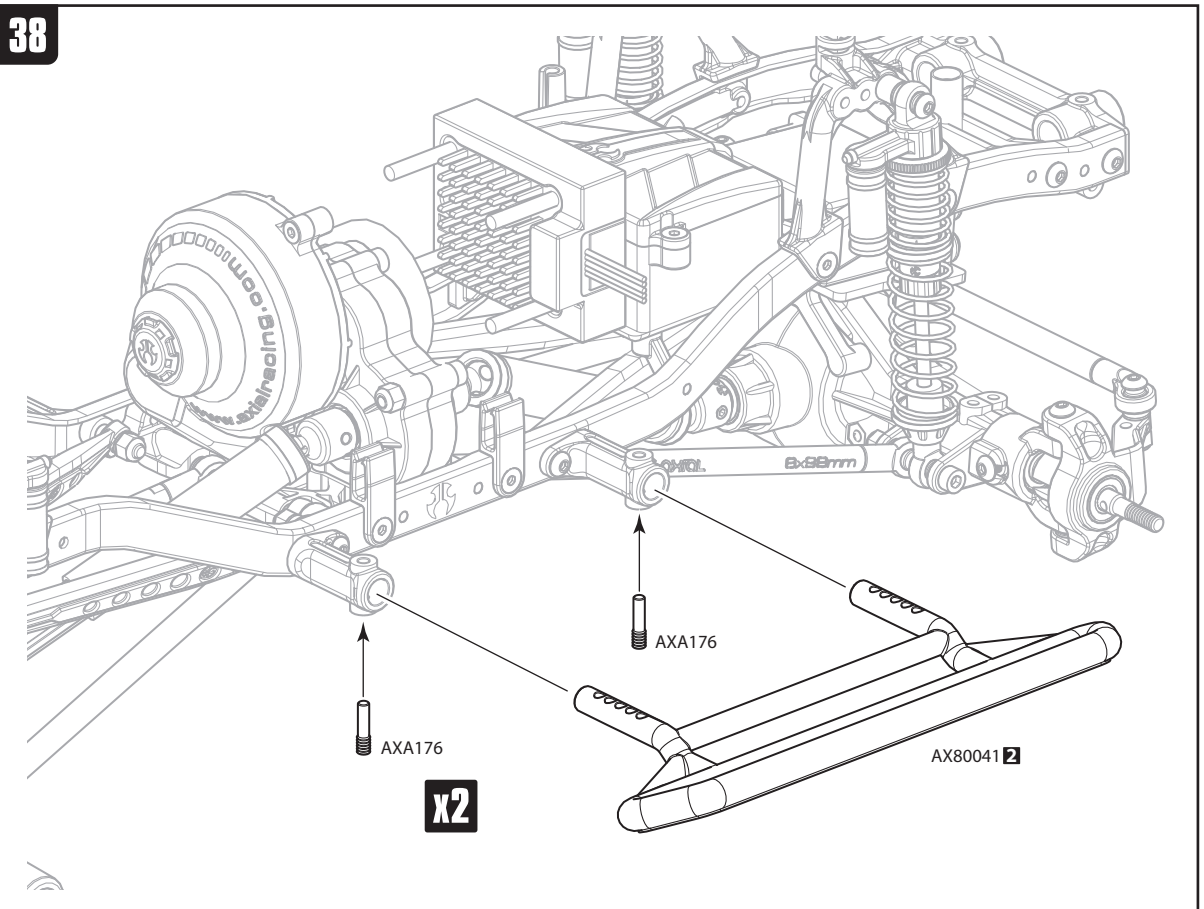
AXA464
M3x8mm **x4**



AXA466
M3x12mm Tapping Flat Head **x2**



AXA176
M3x2.5x13mm **x4**



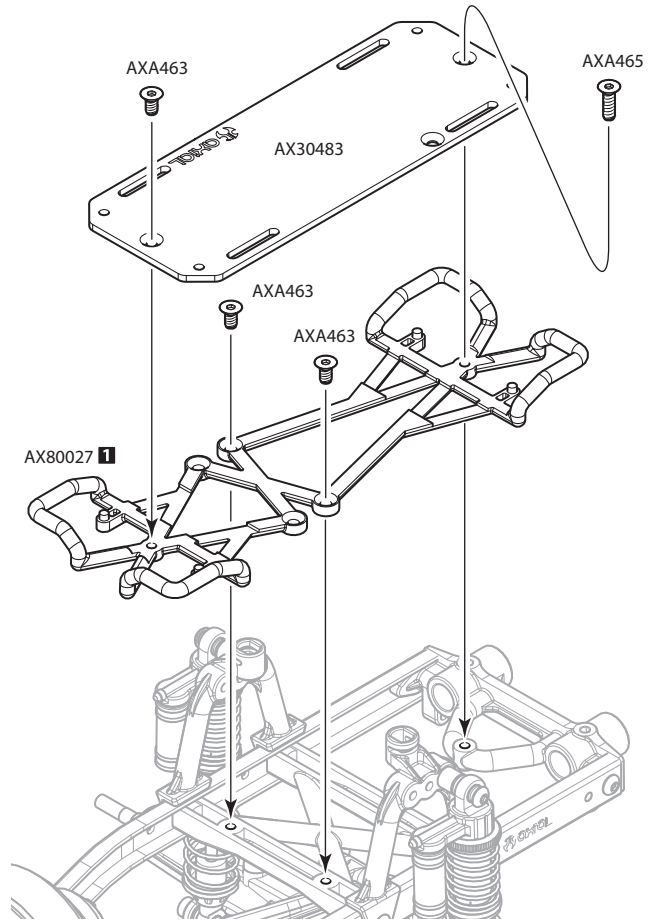
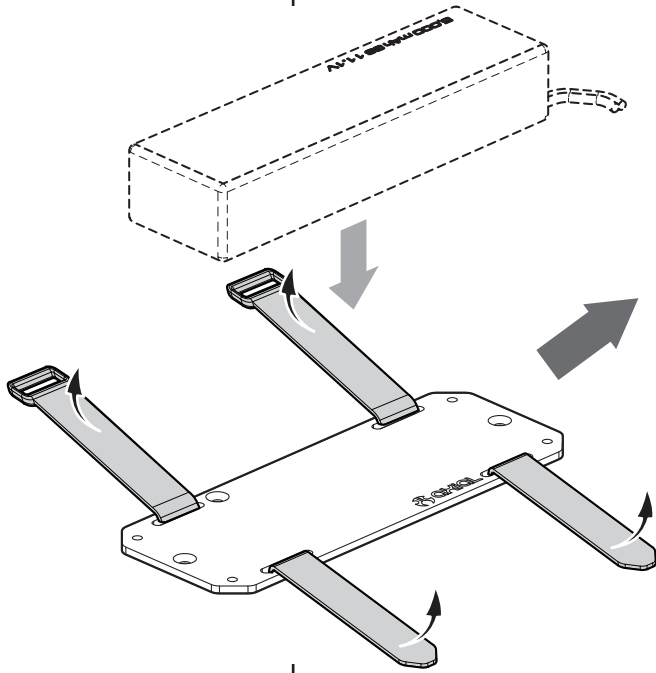
39



AXA463 x3
M3x6mm



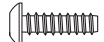
AXA465 x1
M3x10mm

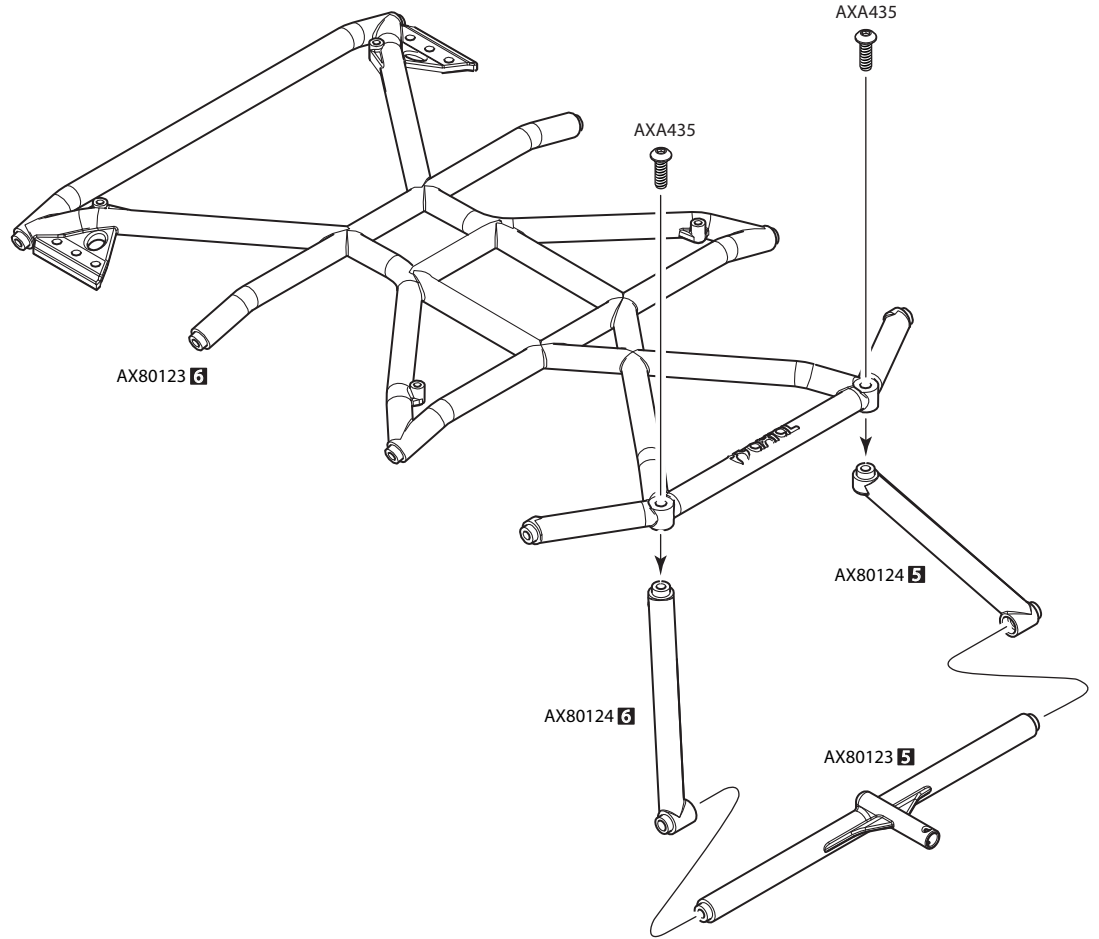


NOTES


G Open Bag G


40


 **AXA435**
M3x10mm **x2**

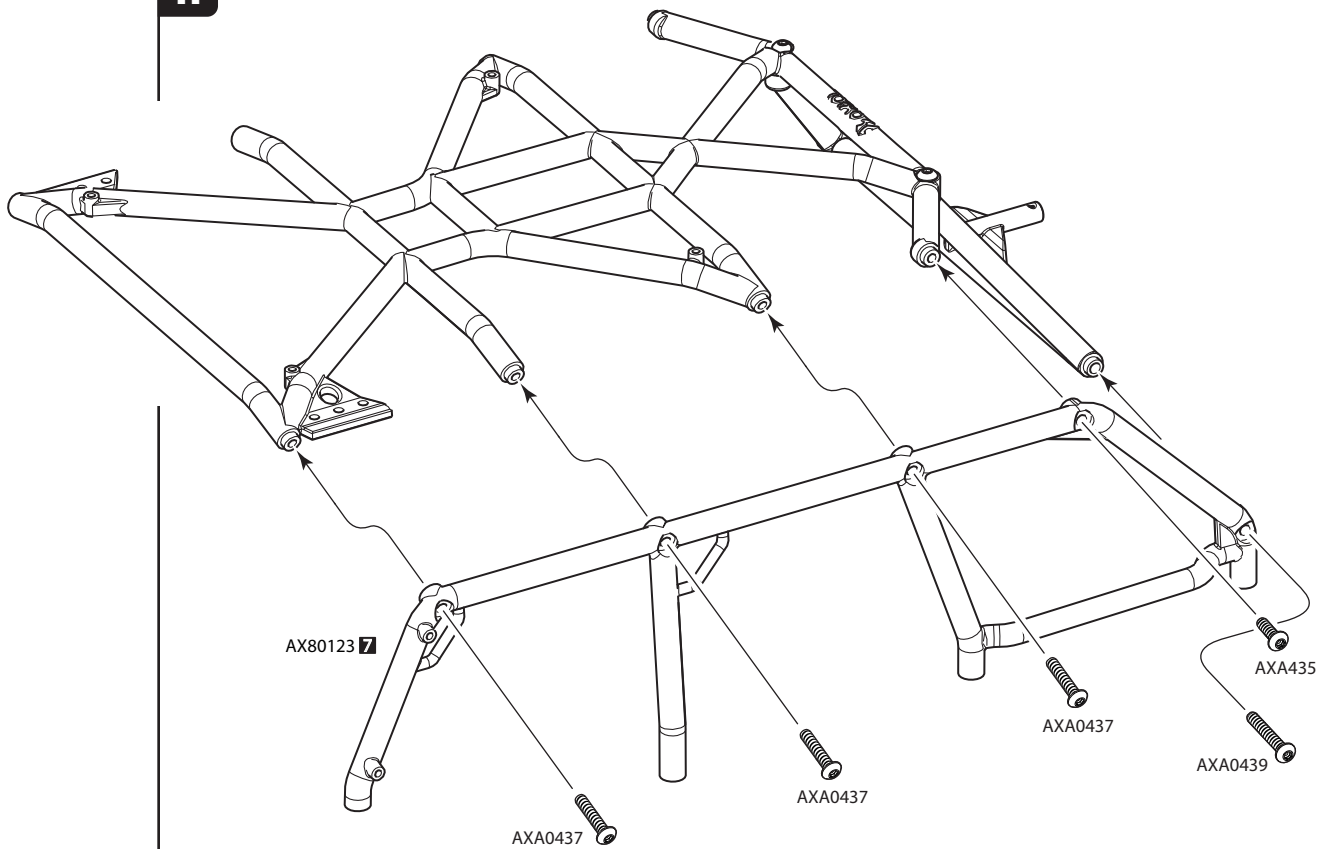


41

 **AXA0437**
M3x15mm **x3**

 **AXA435**
M3x10mm **x1**

 **AXA0439**
M3x20mm **x1**



42



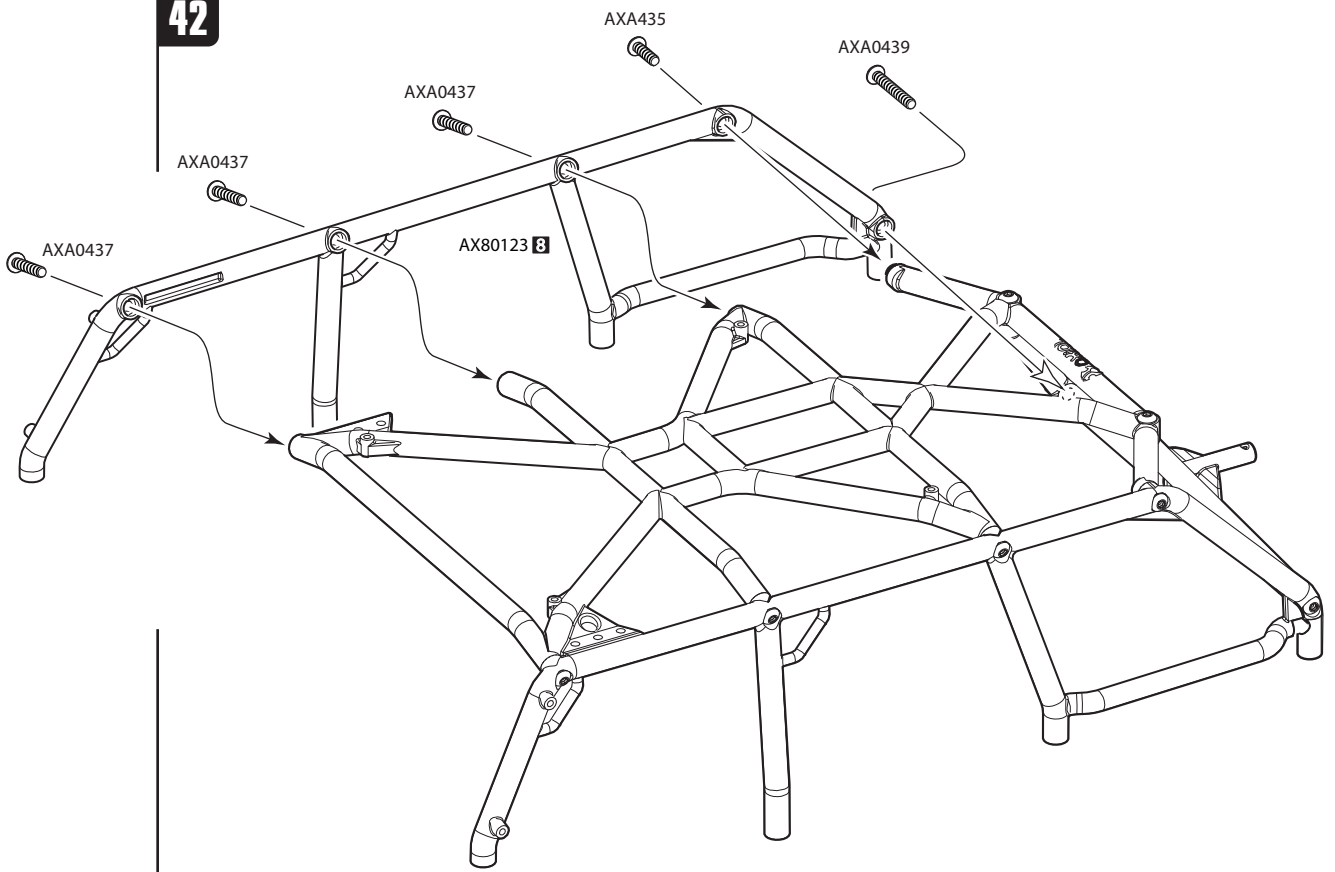
AXA435 x1
M3x10mm



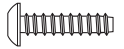
AXA0437 x3
M3x15mm



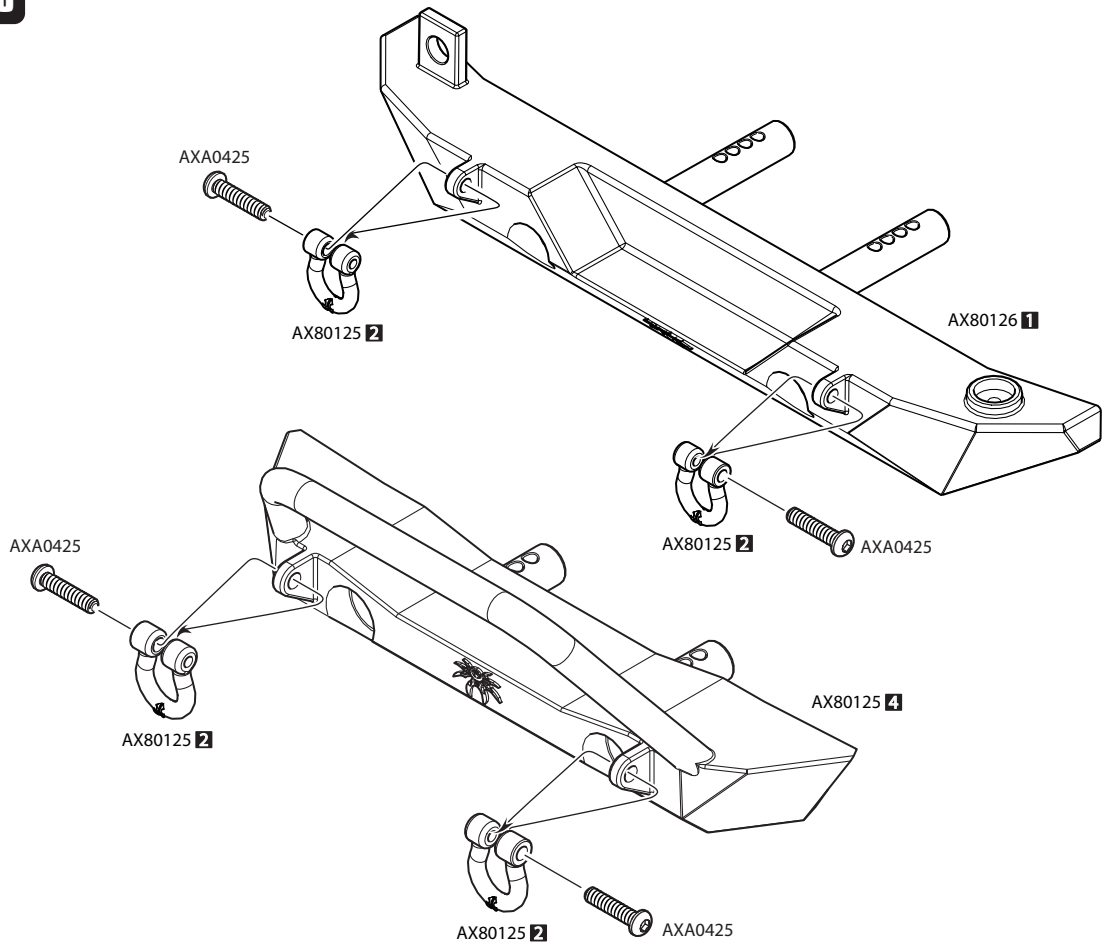
AXA0439 x1
M3x20mm

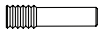


43



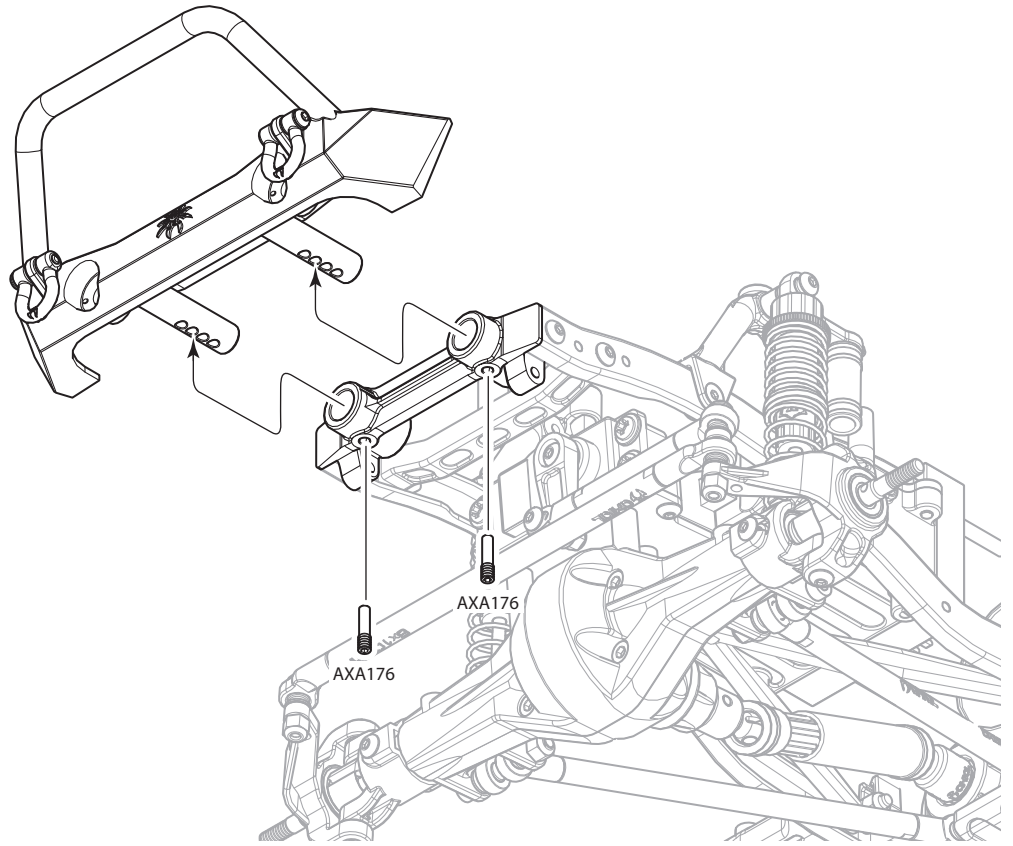
AXA0425 x4
M2.6x12mm





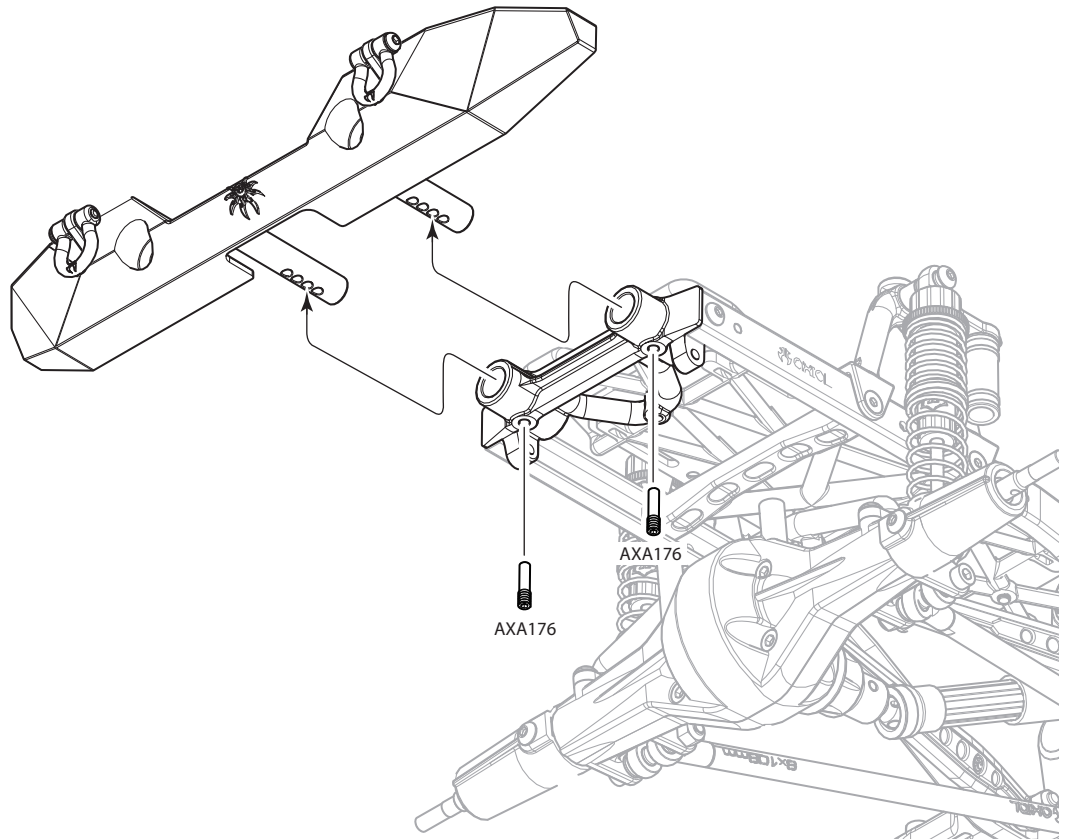
AXA176
M3x2.5x13mm x2

44



AXA176
M3x2.5x13mm x2

45



46

! Note Tire Direction!
Arrow on tire facing forward.

x5

AX12019

AX12019

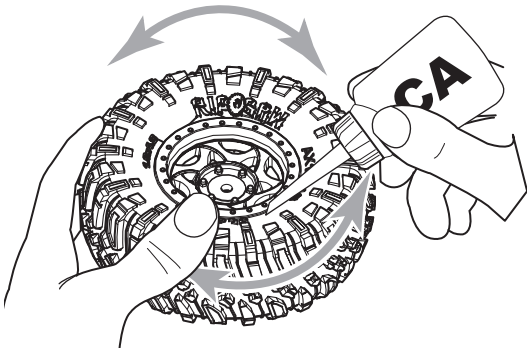
AX08138

AX08138

AX12019

AX12019

! Note Tire Direction!
Arrow on tire facing forward.



AXA0443 x1
M3x40mm

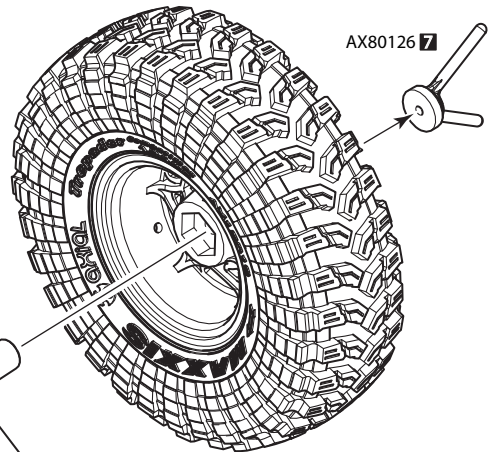
47

AX80126 **7**

AX80126 **6**

AX80126 **2**

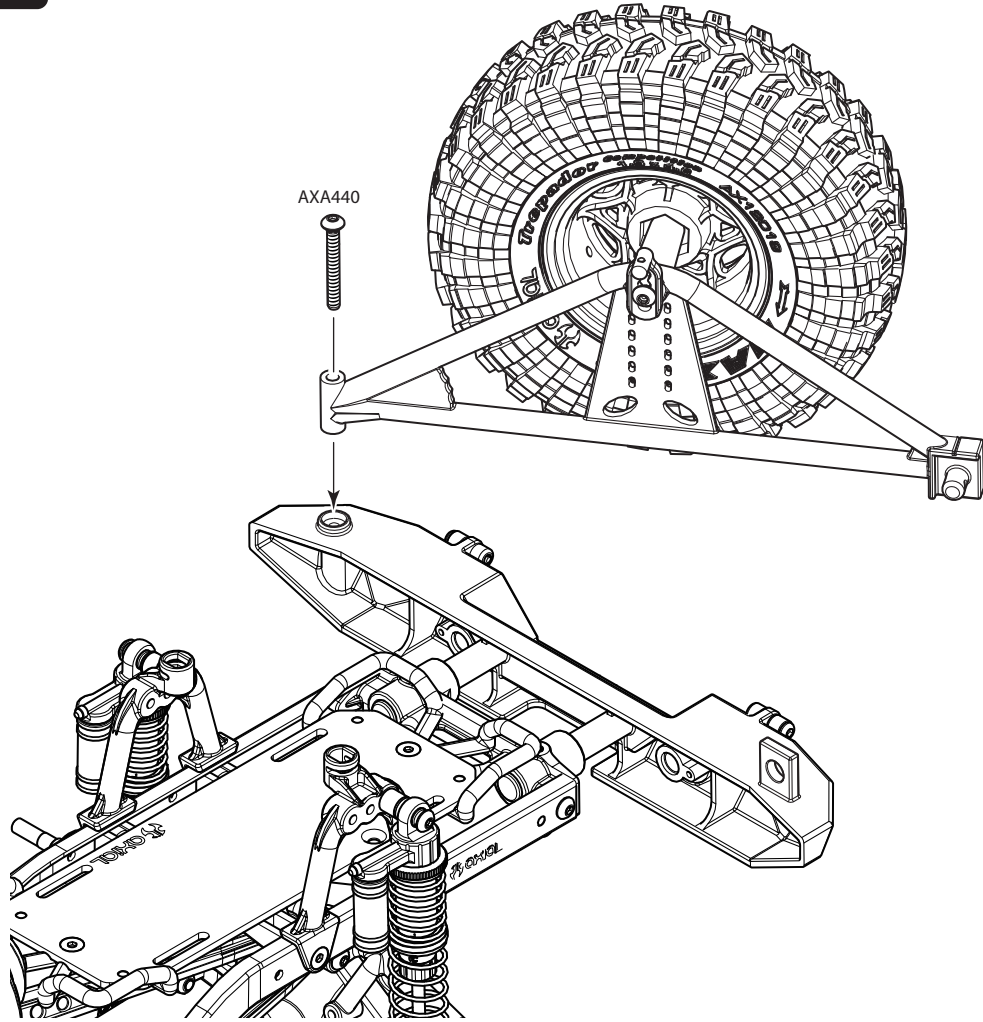
AXA0443





AXA440 x1
M3x25mm

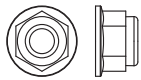
48



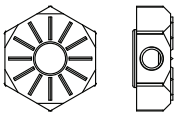
AXA180 x4
M3x3mm



AX30163 x4
Pin 2.0x10

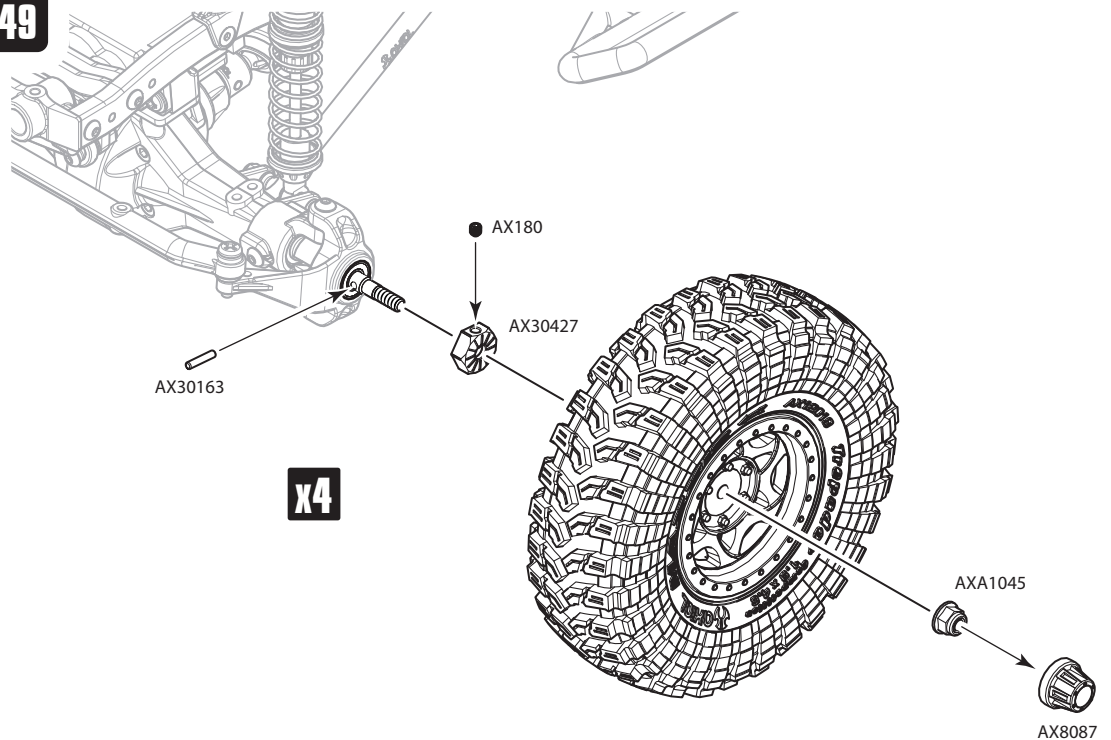


AXA1045 x4
M4 Nylon Lock Nut



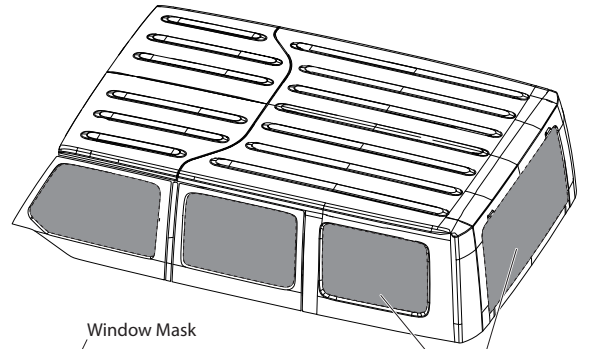
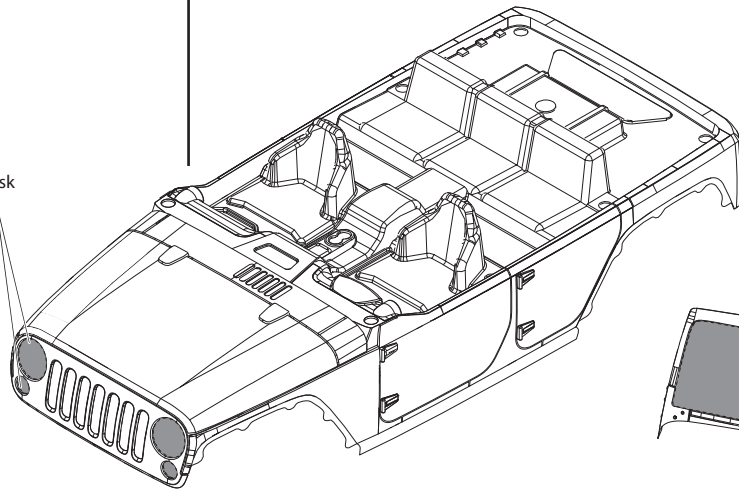
AX30427 x4
12mm Aluminum Hub

49



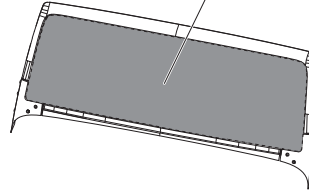
50

Mask

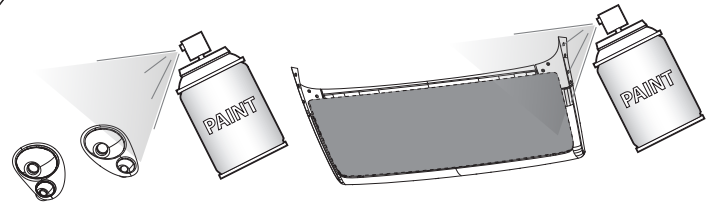
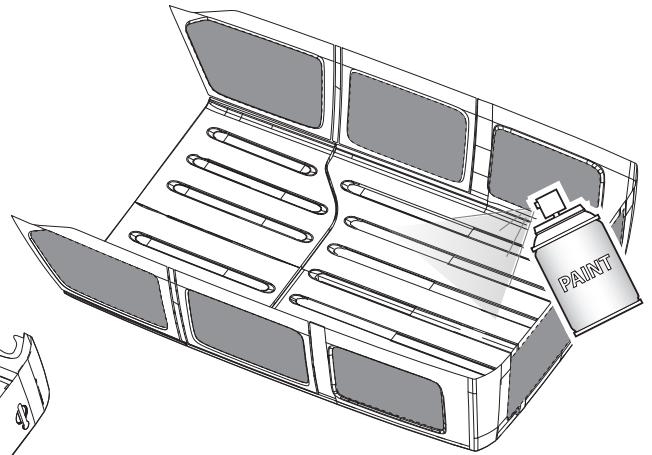
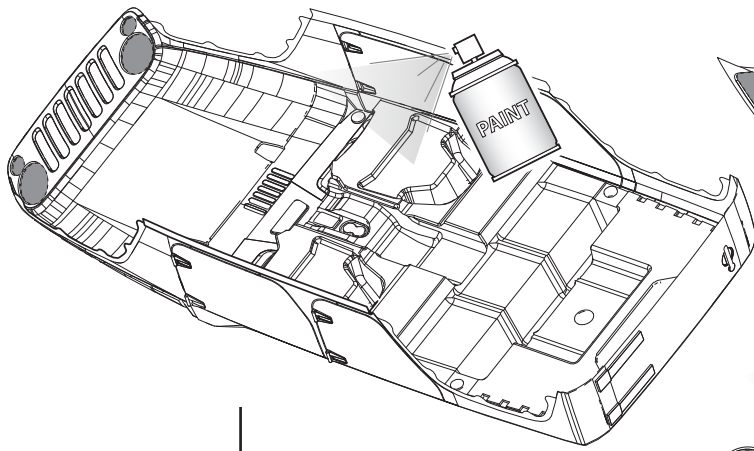


Window Mask

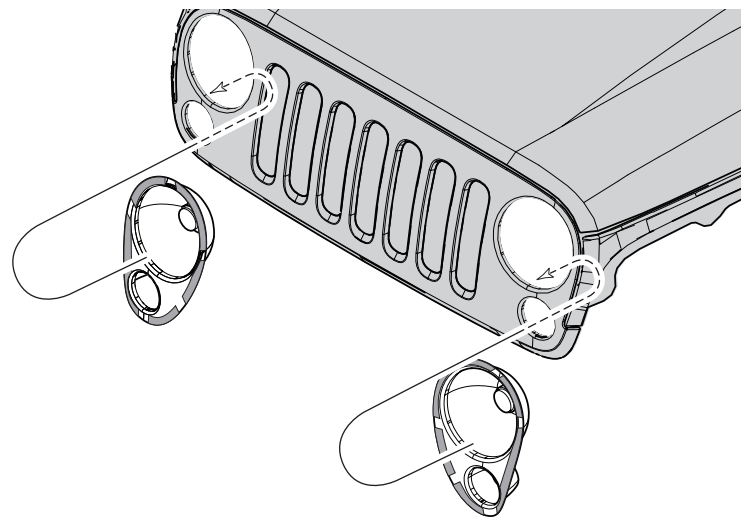
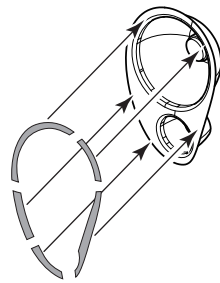
Window Mask



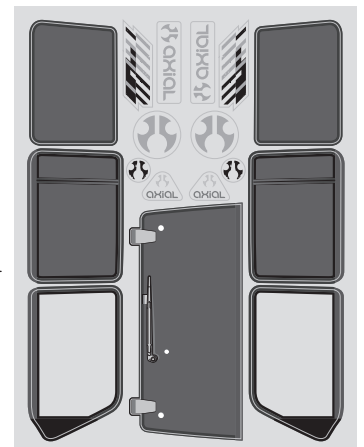
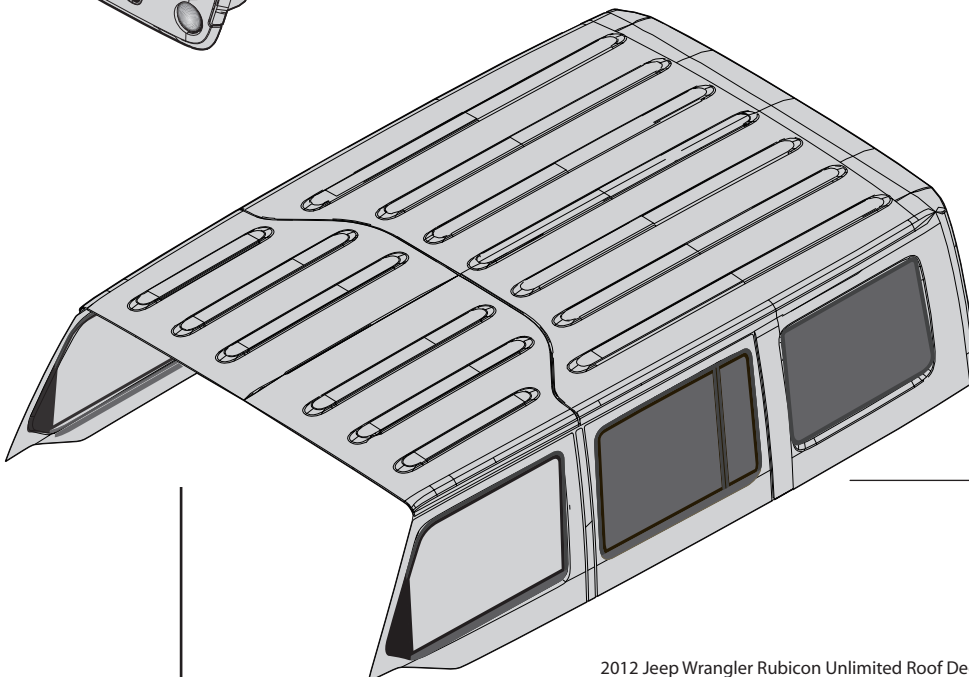
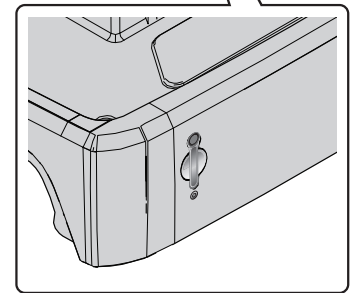
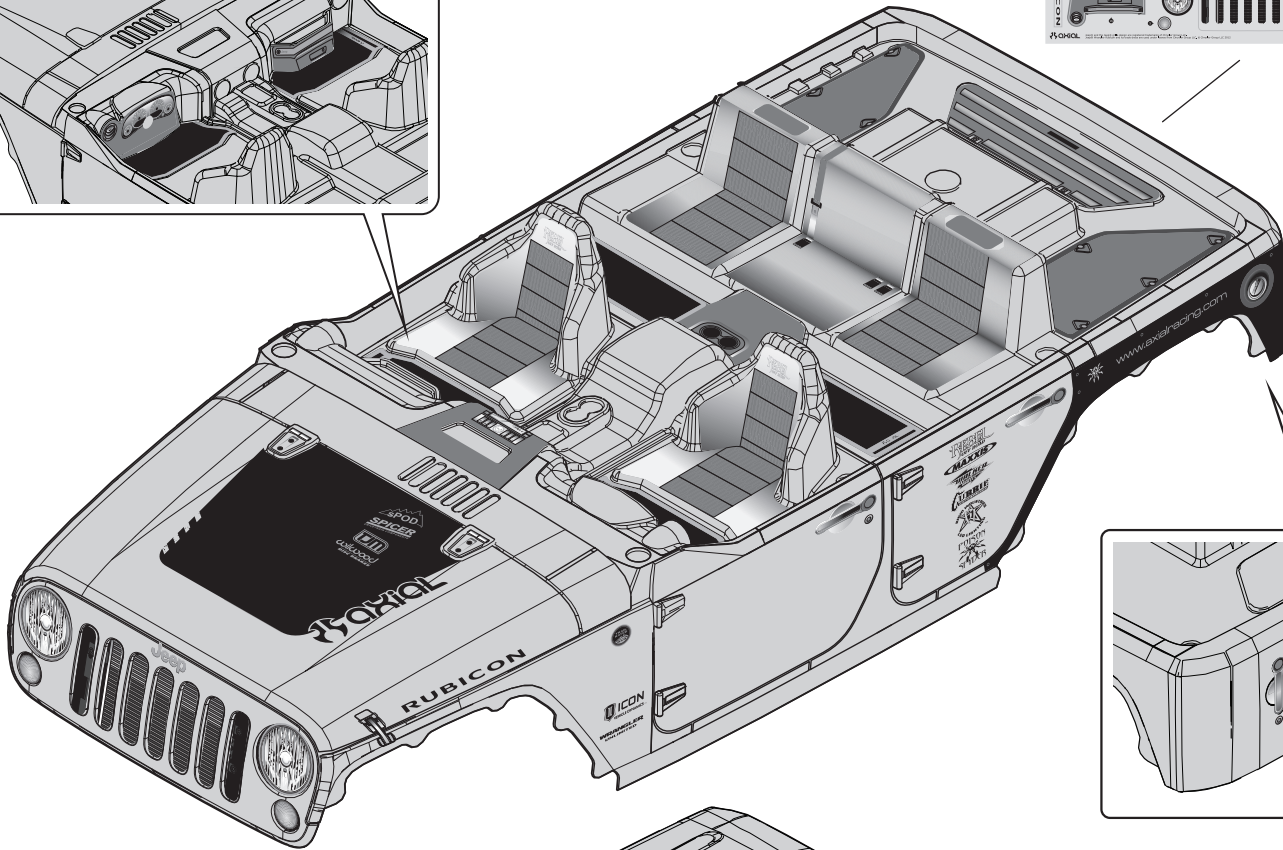
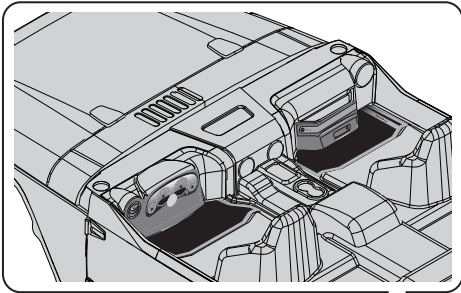
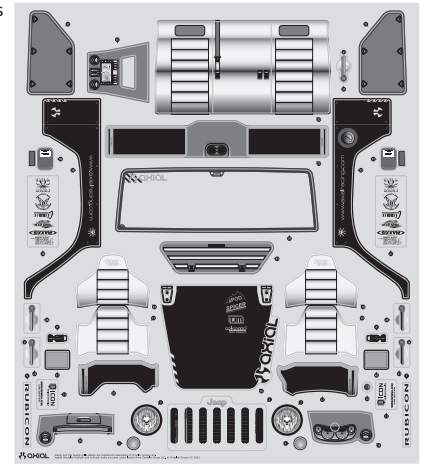
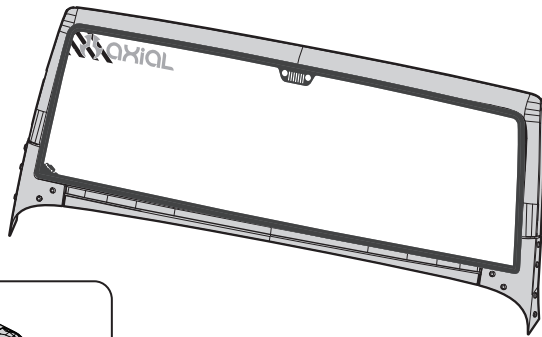
51



52



Double side tape
*Not included

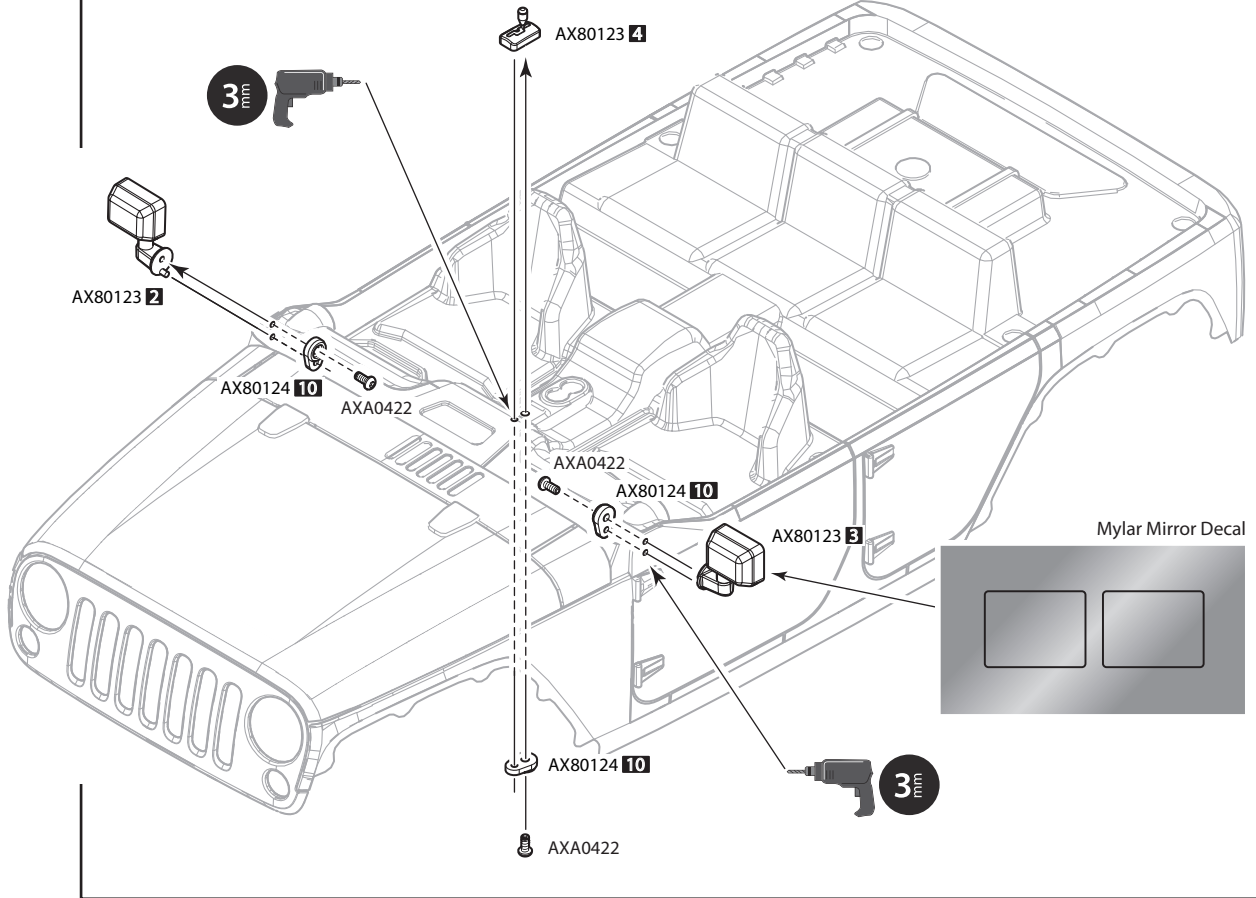


2012 Jeep Wrangler Rubicon Unlimited Roof Decals



AXA0422
M2.6x6mm x3

54

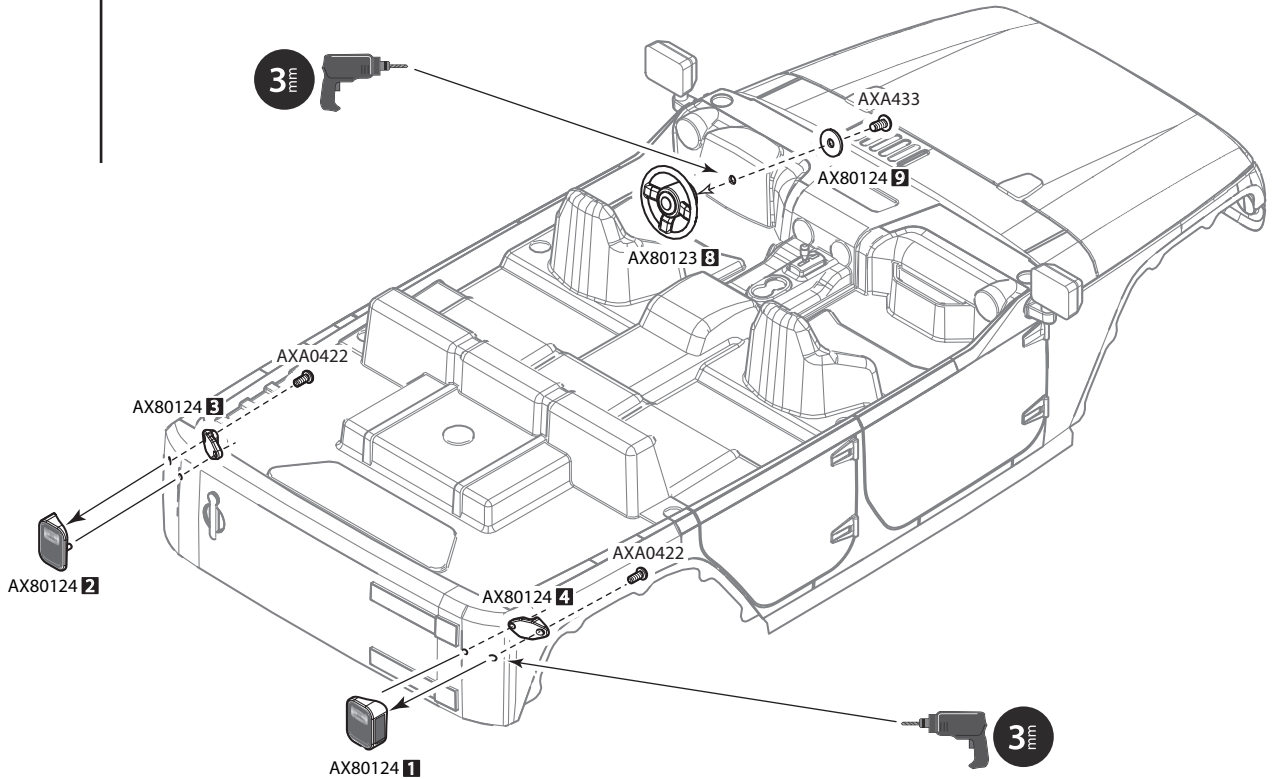


AXA0422
M2.6x6mm x2



AXA433
M3x6mm x1

55

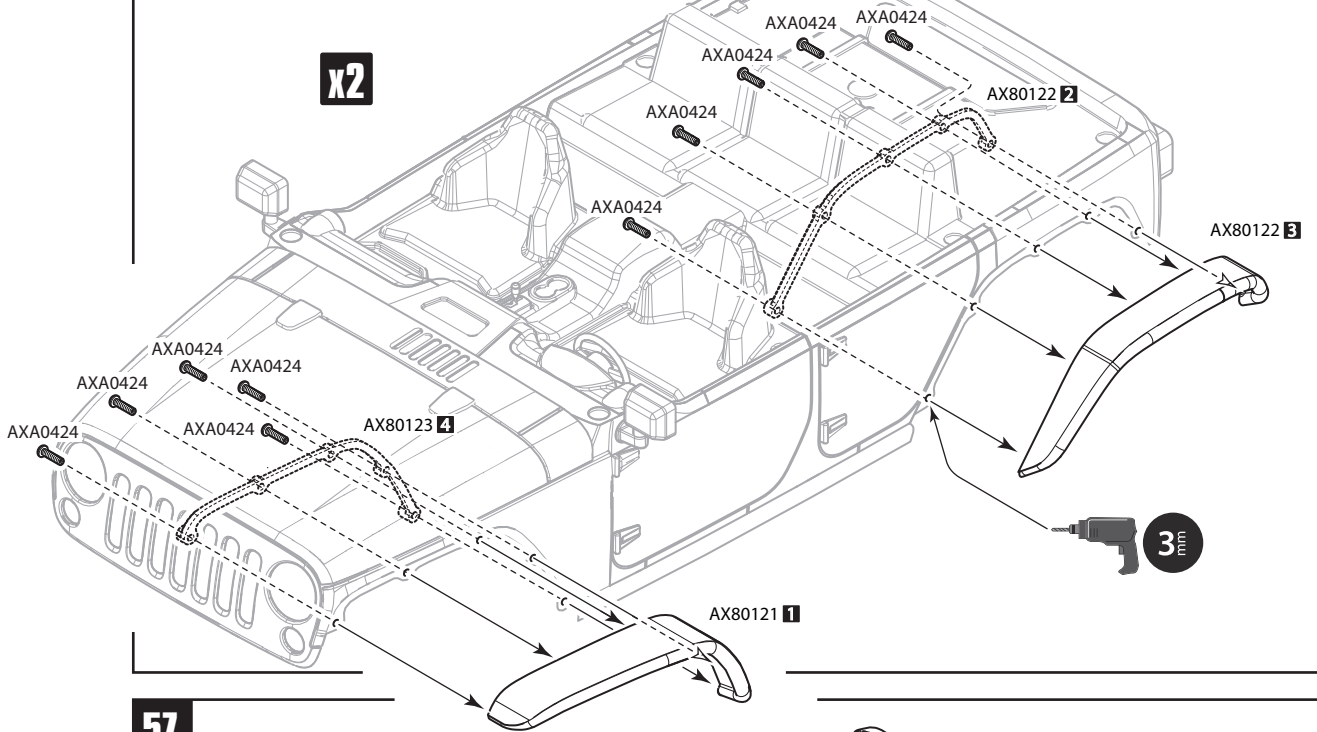


56



AXA0424 x20
M2.6x10mm

x2



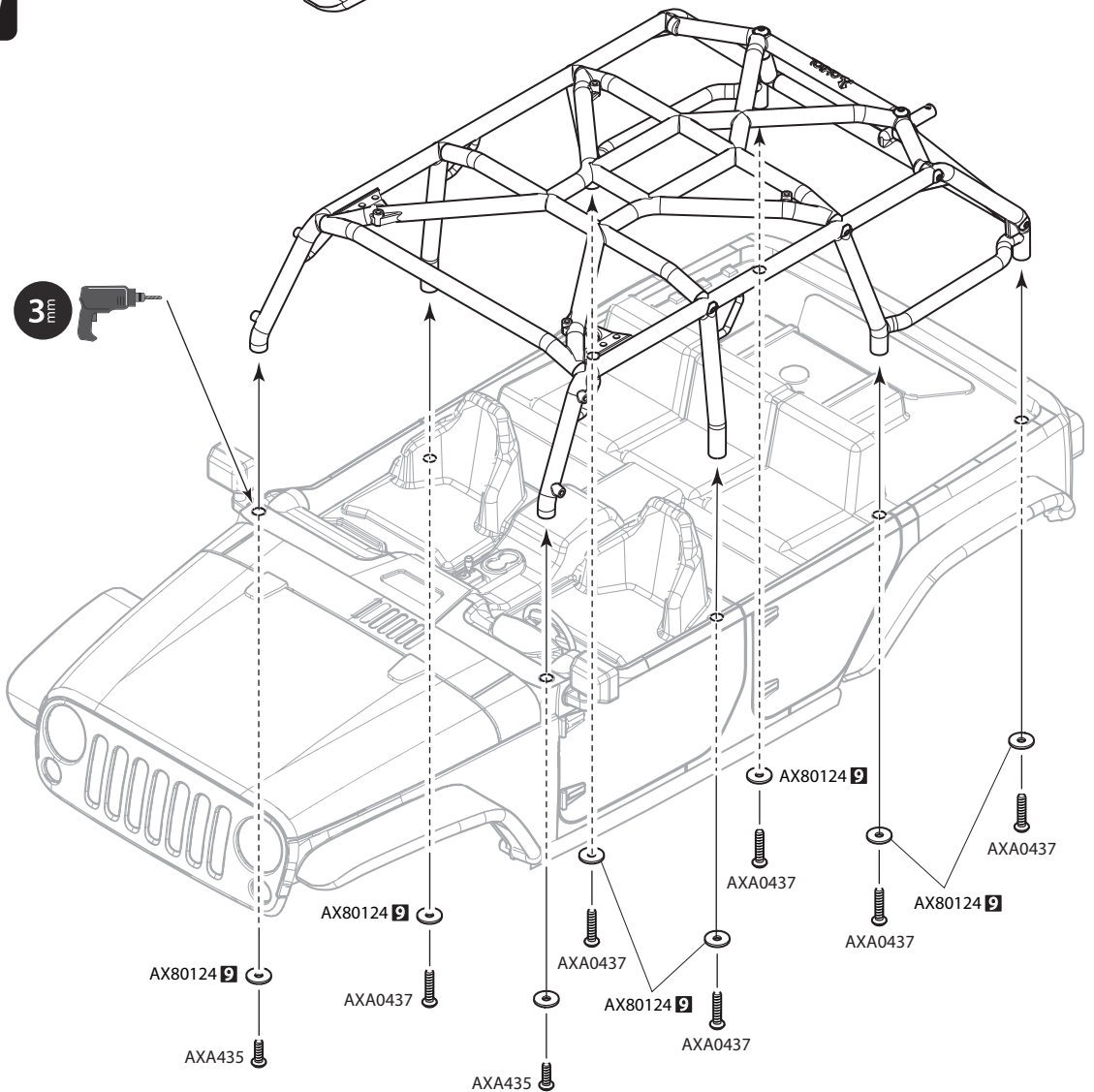
57



AXA435 x2
M3x10mm



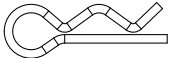
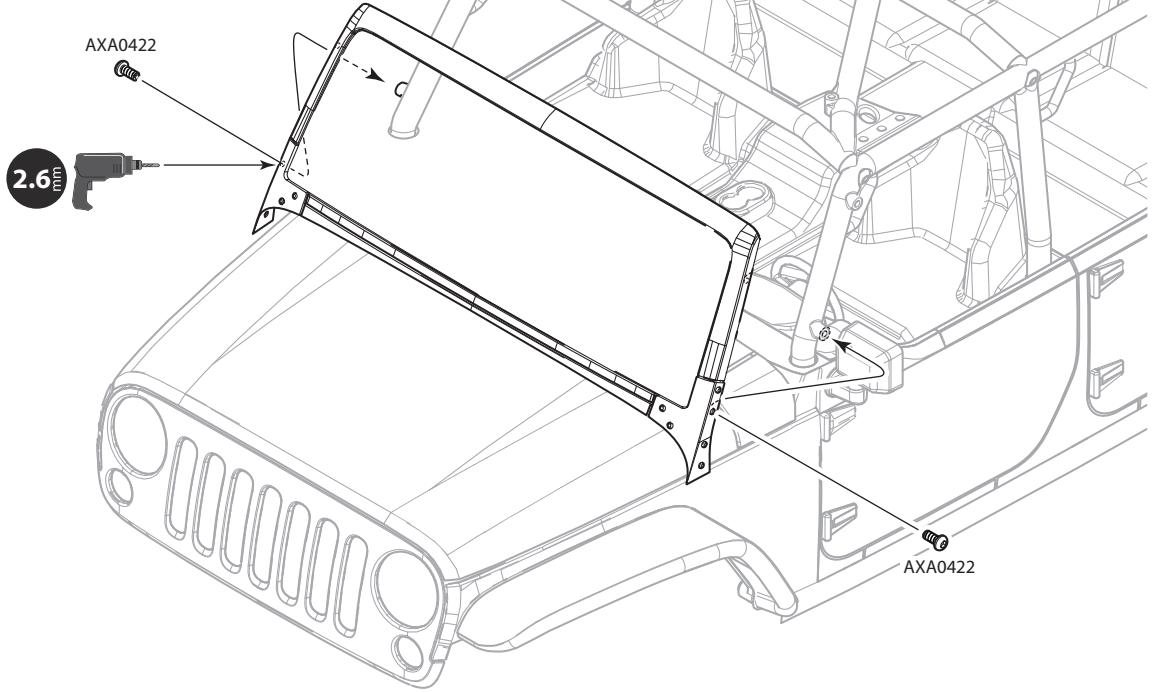
AXA0437 x6
M3x15mm





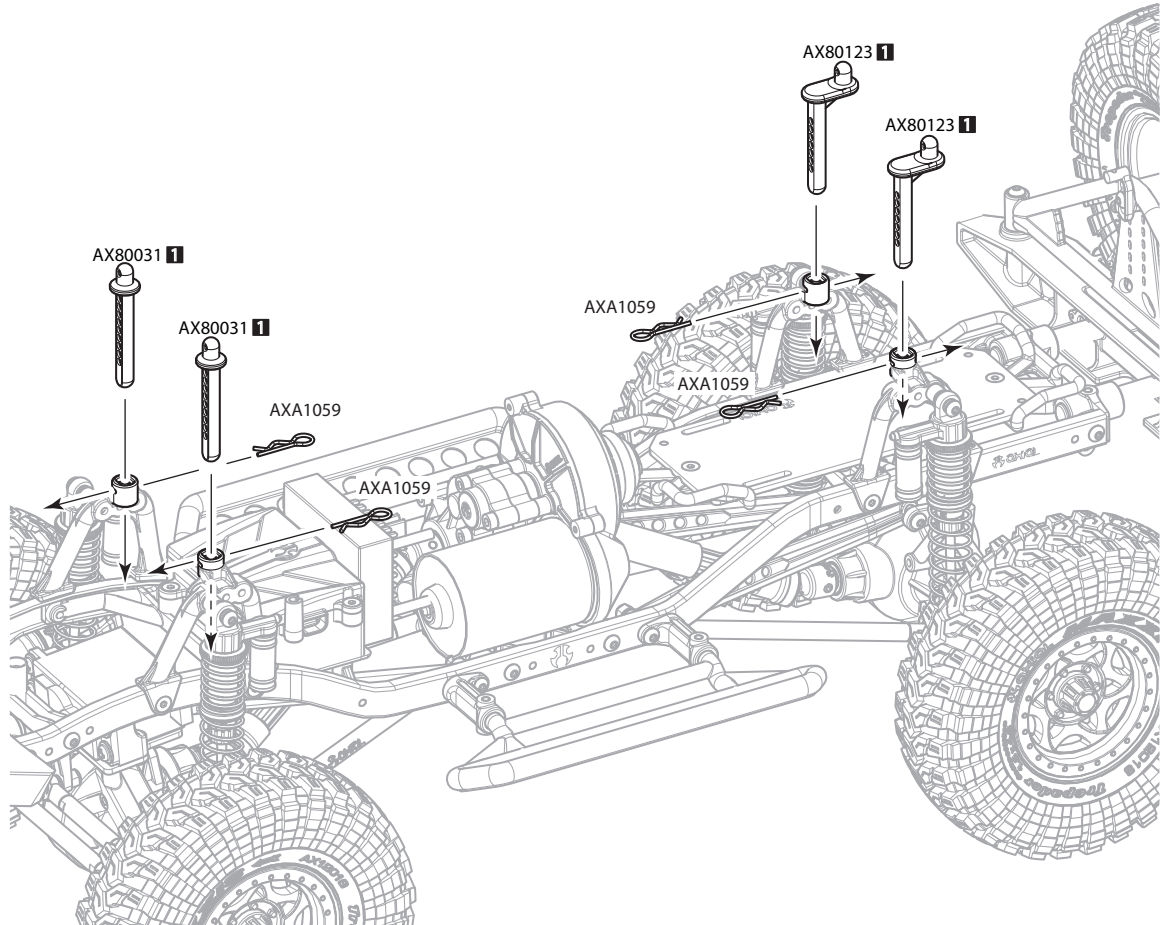
AXA0422 x2
M2.6x6mm

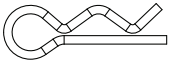
58



AXA1059 x4
6mm Body Clip

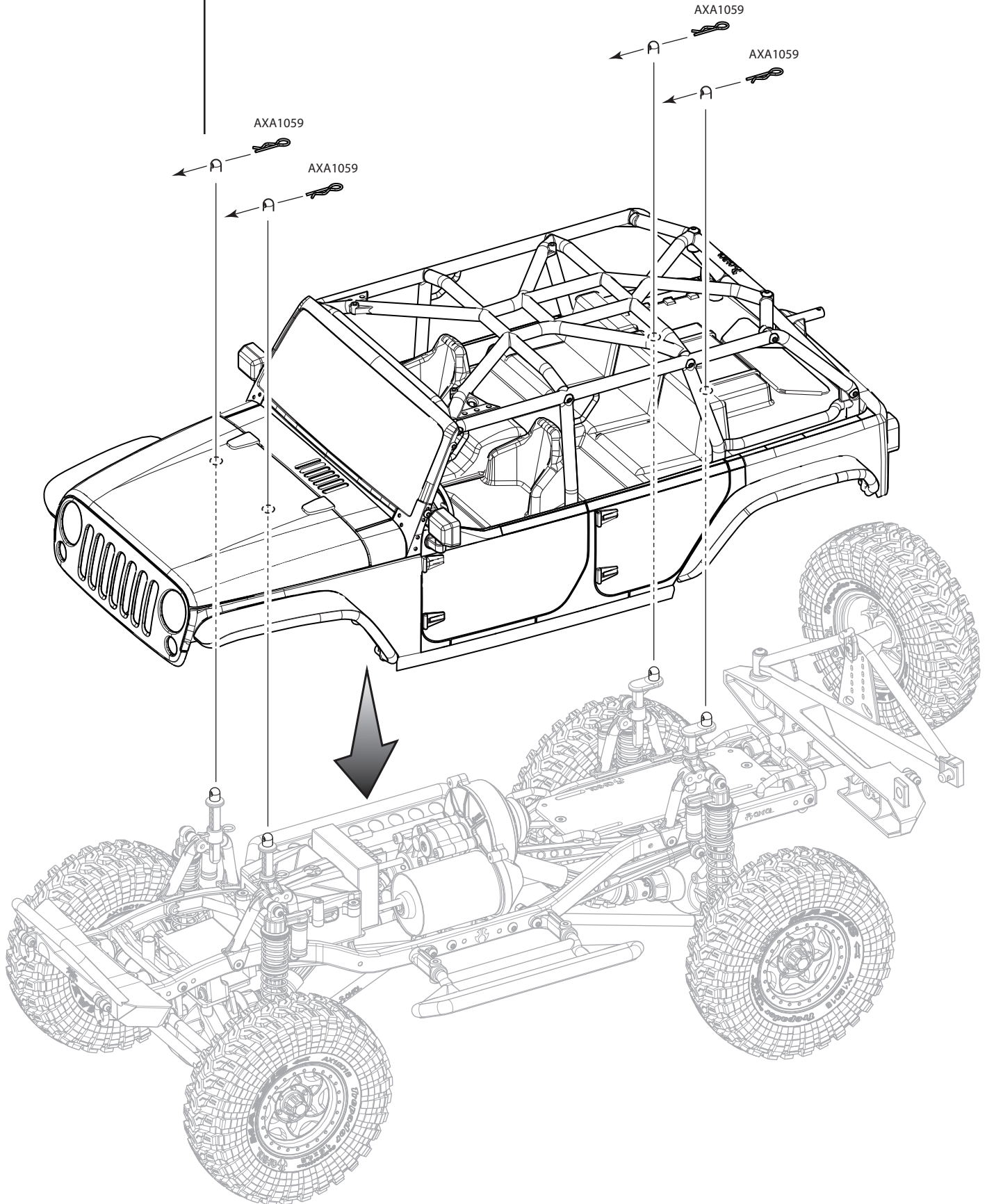
59





AXA1059
6mm Body Clip **x4**

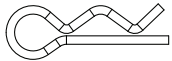
60



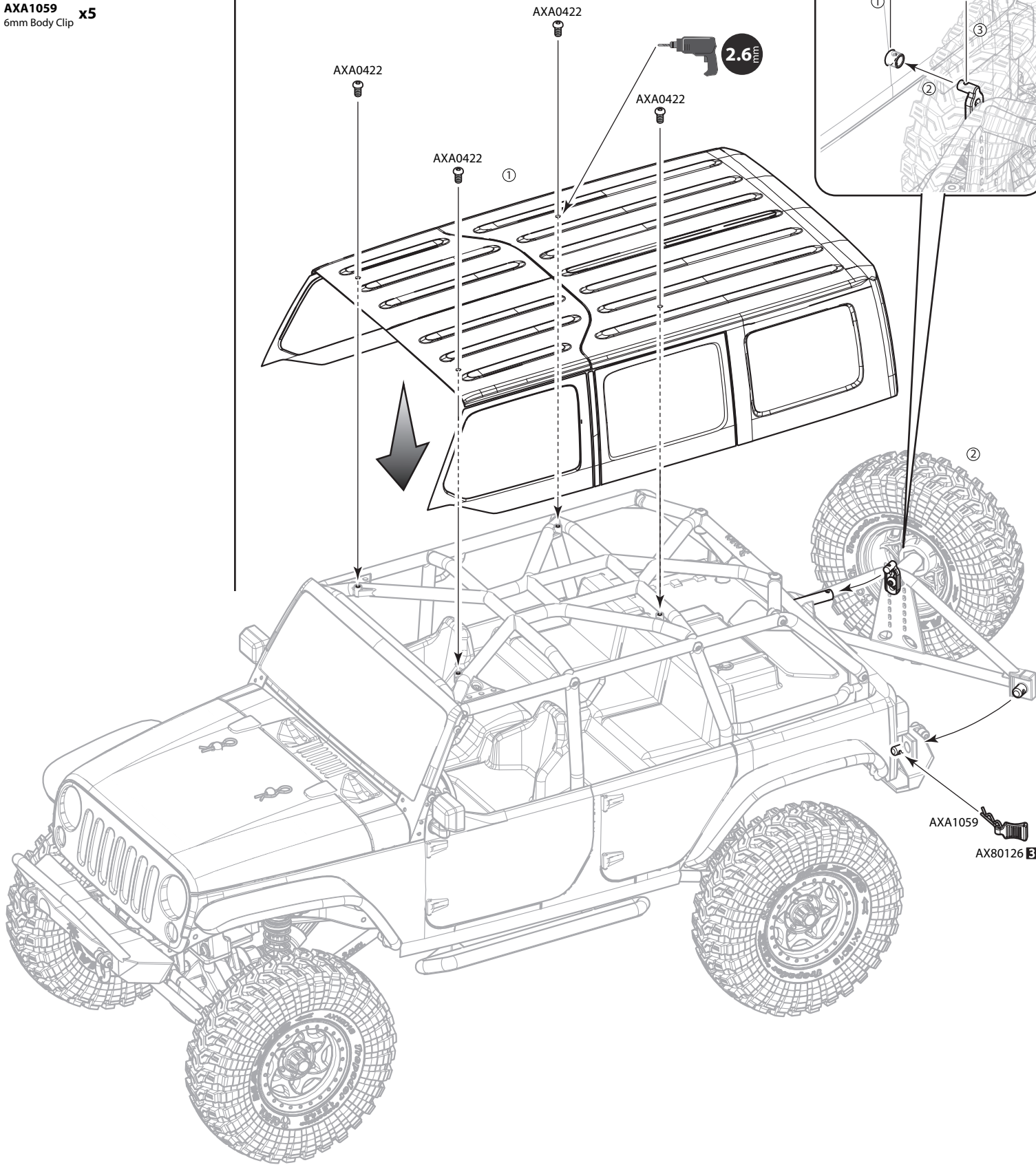
61



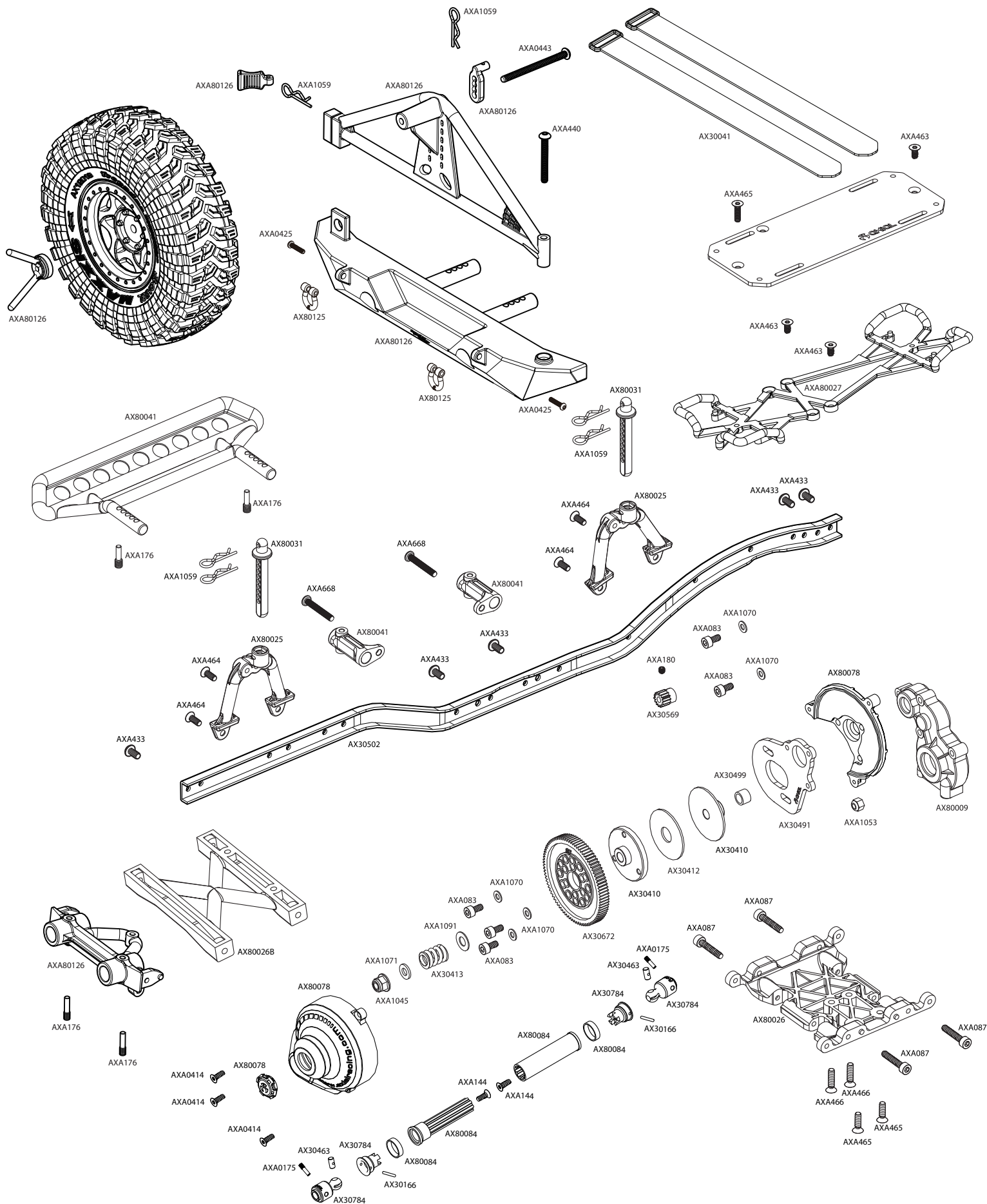
AXA0422
M2.6x6mm Hex Socket Button Head x4

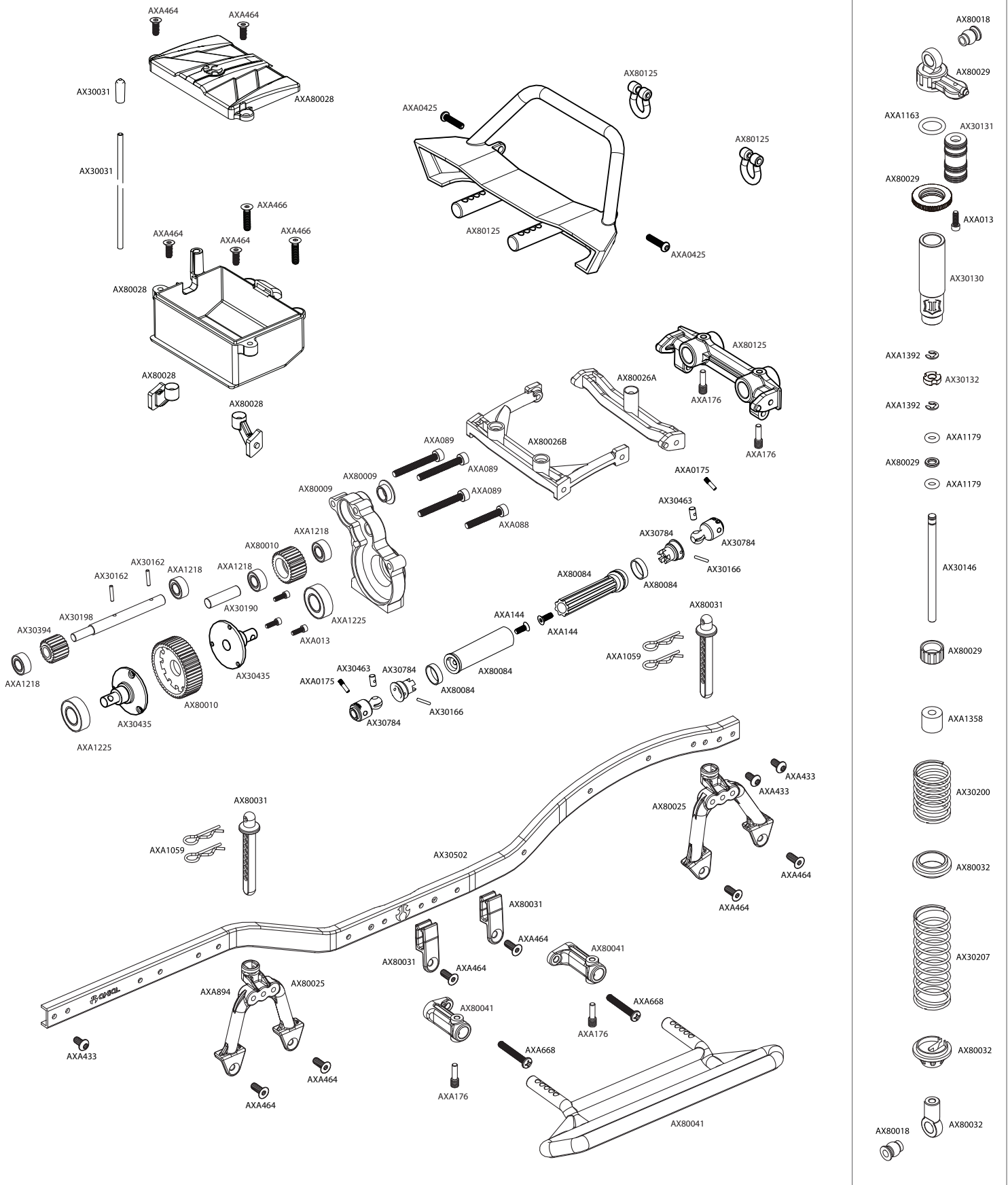


AXA1059 x5
6mm Body Clip

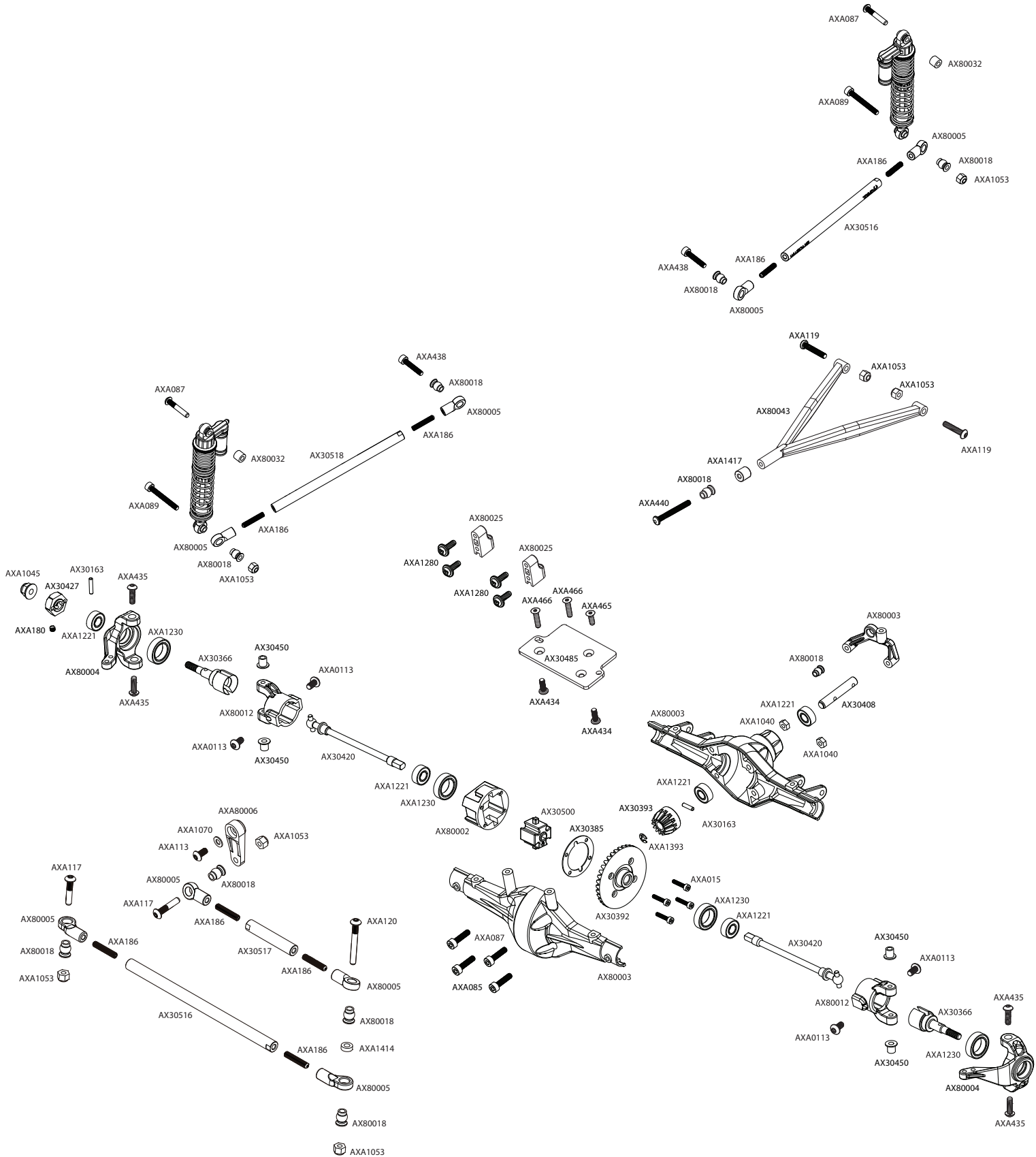


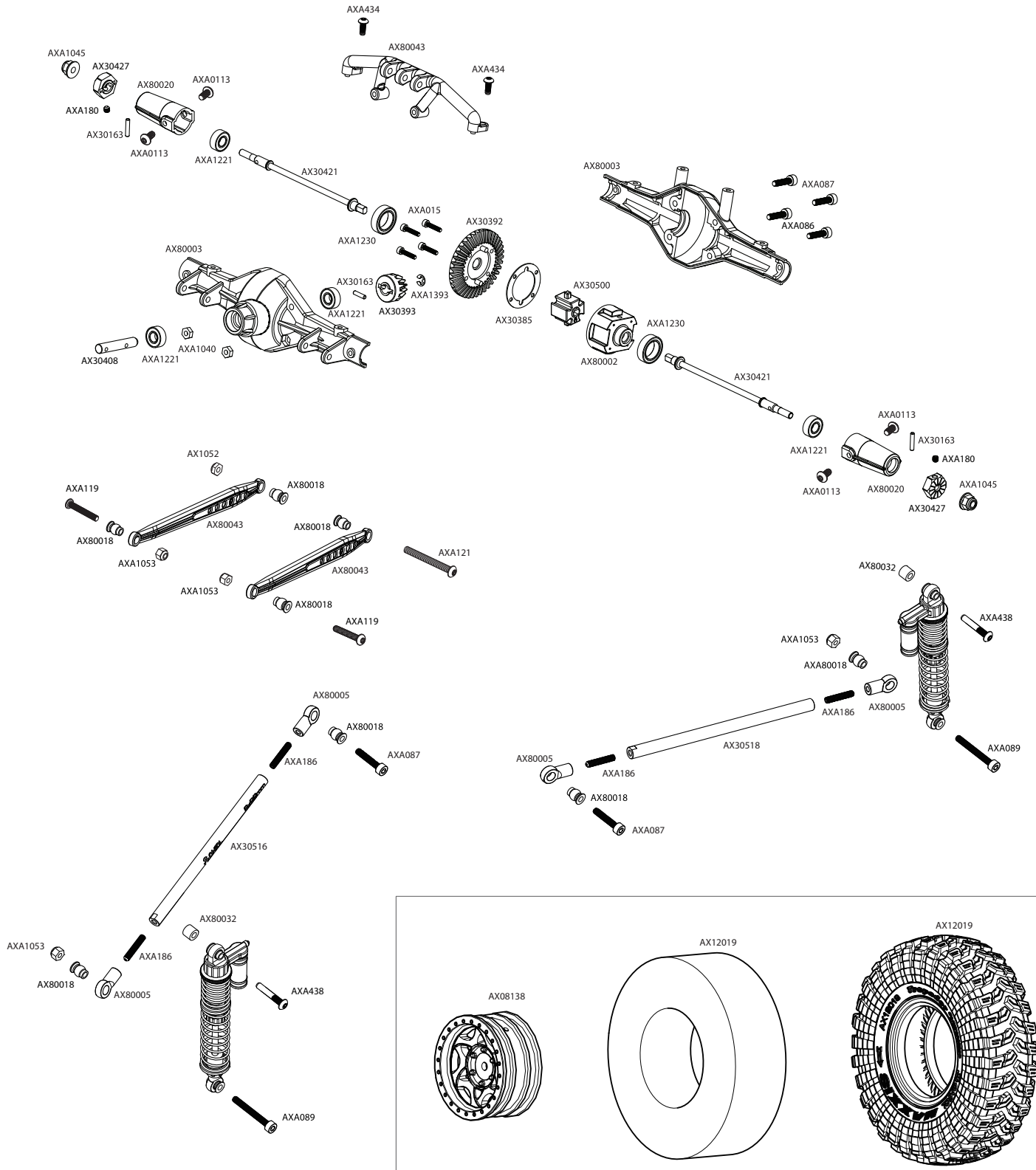
Exploded View / Explosionsansicht / Vue éclatée



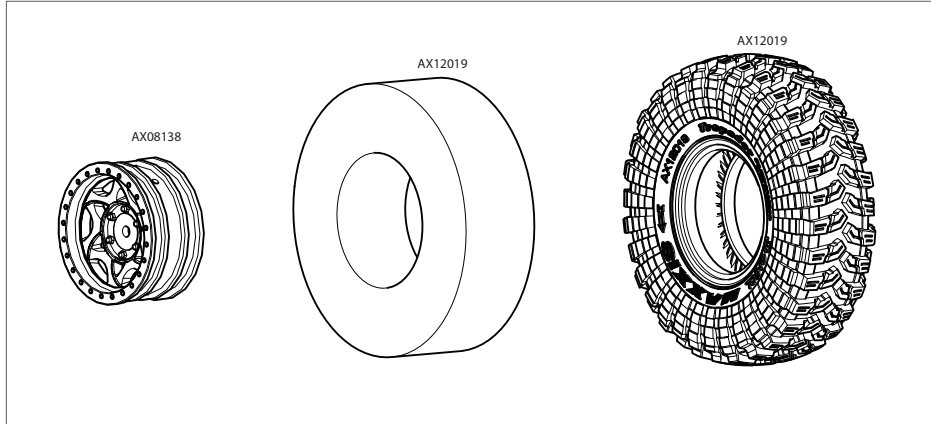


Exploded View / Explosionsansicht / Vue éclatée





- AXA180
- AXA1221
- AX30427
- AXA1045
- AX30163



Parts List

Part #	Description	Part #	Description
AX04033	2012 Jeep Wrangler Unlimited Rubicon™ Body - .040" (Clear) - Body Only	AXA0113	M3x6mm Hex Socket Button Head (Black) (10pcs)
AX04034	2012 Jeep Wrangler Unlimited Rubicon™ Roof - .040" (Clear)	AXA013	M2x6 mm Cap Head (Black) (10pcs)
AX08138	1.9 Walker Evans Wheels - Black (2pcs)	AXA015	M2x10mm Cap Head (Black) (10pcs)
AX12019	1.9 Maxxis Trepador Tires - R35 Compound (2pcs)	AXA0175	Screw Shaft M3x2.5x11mm (10pcs)
AX30031	Antenna	AXA0414	M2.6x10mm Hex Socket Tapping Flat Head (Black) (10pcs)
AX30041	Velcro Strap 15x160mm	AXA0422	M2.6x6mm Hex Socket Tapping Button Head (Black) (10pcs)
AX30130	Icon Clear Anodized Aluminum Shock Body 10x38mm (2pcs)	AXA0424	M2.6x10mm Hex Socket Tapping Button Head (Black) (10pcs)
AX30131	Icon Clear Anodized Aluminum Shock Reservoir (2pcs)	AXA0425	M2.6x12mm Hex Socket Tapping Button Head (Black) (10pcs)
AX30132	Machined Shock Piston 7mm - 1.5x3 (4pcs)	AXA0437	M3x15mm Hex Socket Tapping Button Head (Black) (10pcs)
AX30146	Shock Shaft 3x50 (2pcs)	AXA0439	M3x20mm Hex Socket Tapping Button Head (Black) (10pcs)
AX30162	Pin 1.5x8mm (6pcs)	AXA0443	M3x40mm Hex Socket Tapping Button Head (Black) (10pcs)
AX30163	Pin 2.0x10mm (6pcs)	AXA083	M3x6mm Cap Head (Black) (10pcs)
AX30166	Pin 1.5x11mm (6pcs)	AXA085	M3x10mm Cap Head (Black) (10pcs)
AX30190	Shaft 5x18 (2pcs)	AXA087	M3x16mm Cap Head (Black) (10pcs)
AX30198	Slipper Drive Gear Shaft 5x53.5mm	AXA088	M3x20mm Cap Head (Black) (10pcs)
AX30200	Spring 12.5x20mm 3.6 lbs/in - Super Soft (Red) - (2pcs)	AXA089	M3x25mm Cap Head (Black) (10pcs)
AX30207	Spring 12.5x40mm 4.08 lbs/in - Medium (Green) - (2pcs)	AXA1040	M3 Thin Hex Nut (Black) (10pcs)
AX30366	Axle 5x35mm (2pcs)	AXA1045	M4 Nylon Lock Nut (Black) (10pcs)
AX30385	Diff Gasket 16x25x0.5mm (2pcs)	AXA1052	M3 Thin Nylon Locking Hex Nut (Black) (10pcs)
AX30392	Bevel Gear Set (38/13)	AXA1053	M3 Nylon Locking Hex Nut (Black) (10pcs)
AX30394	20T Drive Gear	AXA1059	6mm Body clip (Black) (10pcs)
AX30408	Steel Input Shaft 5x29mm (2pcs)	AXA1070	Washer 3x6x0.5 (10pcs)
AX30410	Inner Slipper Plate	AXA1071	Washer 4x8x0.5mm (10pcs)
AX30411	Outer Slipper Plate	AXA1091	Washer 5x10x.5 (Black) (10pcs)
AX30412	Slipper Pad 27x8x1mm	AXA1163	O-Ring 7x1mm (10pcs)
AX30413	Slipper Spring 8.5x12 165 lbs/in - Black (2pcs)	AXA117	M3x15mm Hex Socket Button Head (Black) (10pcs)
AX30420	Solid Axle Dogbone 6x74mm (2pcs)	AXA1179	O-Ring 2.5x1.5mm (10pcs)
AX30421	Straight Axle 6x104.50mm (2pcs)	AXA119	M3x20mm Hex Socket Button Head (Black) (10pcs)
AX30427	Axial Narrow 12mm Aluminum Hub - Black (4pcs)	AXA121	M3x30mm Hex Socket Button Head (Black) (10pcs)
AX30435	Steel Outdrive Shaft Set (2pcs)	AXA1218	Bearing 5x10x4mm (2pcs)
AX30450	Flange Pipe 3x4.5x5.5 (4pcs)	AXA1221	Bearing 5x11x4mm (2pcs)
AX30463	WB8 Universal Joint Rebuild Kit (2pcs)	AXA1225	Bearing 8x16x5mm (2pcs)
AX30483	AX10 Scorpion Radio Plate	AXA1230	Bearing 10x15x4mm
AX30485	AX10 Scorpion Servo Plate	AXA1280	M3x10mm Servo Flange Screw (10pcs)
AX30491	AX10 RTR Motor Plate	AXA1290	Step Screw M3x4x14mm (6pcs)
AX30499	Transmission Spacer 5x6.9x4.8mm - Grey (2pcs)	AXA1358	Shock Damper 3x7x8 (10pcs)
AX30500	Heavy Duty Locker (2pcs)	AXA1392	E2 e-clip (10pcs)
AX30502	SCX10 Chasis Rail Set (2pcs)	AXA1393	E2.5 e-clip (10pcs)
AX30516	Threaded Aluminum Pipe 6x106mm - Grey (2pcs)	AXA1414	2x6mm Spacer - Grey (6pcs)
AX30517	Threaded Aluminum Pipe 6x33mm - Grey (2pcs)	AXA1417	5x6mm Spacer - Grey (6pcs)
AX30518	Threaded Aluminum Pipe 6x98mm - Grey (2pcs)	AXA144	M3x8mm Hex Socket Flat Head (Black) (10pcs)
AX30578	Pinion 48DP 20T	AXA176	Screw Shaft M3x2.5x12mm (10pcs)
AX30672	Spur 48DP 87T	AXA180	M3x3mm Set Screw (Black) (10pcs)
AX30784	WB8 Driveshaft Coupler Set	AXA433	M3x6mm Hex Socket Tapping Button Head (Black) (10pcs)
AX80002	Diff Case -Small	AXA434	M3x8mm Hex Socket Tapping Button Head (Black) (10pcs)
AX80003	Solid Axle Set	AXA435	M3x10mm Hex Socket Tapping Button Head (Black) (10pcs)
AX80004	Hub Set	AXA436	M3x12mm Hex Socket Tapping Button Head (Black) (10pcs)
AX80006	Servo Set	AXA438	M3x18mm Hex Socket Tapping Button Head (Black) (10pcs)
AX80009	Transmission Set	AXA440	M3x25mm Hex Socket Tapping Button Head (Black) (10pcs)
AX80010	Gear 52T	AXA463	M3x6mm Hex Socket Tapping Flat Head (Black) (10pcs)
AX80012	C Hub Carrier Set	AXA464	M3x8mm Hex Socket Tapping Flat Head (Black) (10pcs)
AX80018	Hardware Parts Tree	AXA465	M3x10mm Hex Socket Tapping Flat Head (Black) (10pcs)
AX80020	Plastic Rear Axle Lock-out (2pcs)	AXA466	M3x12mm Hex Socket Tapping Flat Head (Black) (10pcs)
AX80025	SCX10 Shock Hoops Parts Tree		
AX80026	SCX10 Frame Brace Set		
AX80027	SCX10 Battery Tray Holder		
AX80028	SCX10 Radio Box Parts Tree		
AX80029	Shock Cap Parts Tree		
AX80031	Body Mount Parts Tree		
AX80032	Shock Parts		
AX80041	1/10th Scale Rock Rails Set (2pcs)		
AX80043	SCX10 RTR Links Parts Tree		
AX80054	SCX10 130mm Lower Links Parts Tree		
AX80078	Transmission Gear Cover		
AX80084	WB8 Driveshaft		
AX80121	SCX10 Poison Spyder JK Crusher Flares (Front)		
AX80122	SCX10 Poison Spyder JK Crusher Flares (Rear)		
AX80123	SCX10 Unlimited Roll Cage Top		
AX80124	SCX10 Unlimited Roll Cage Sides		
AX80125	SCX10 Poison Spyder JK Brawler Light Front Bumper		
AX80126	SCX10 Poison Spyder JK Rock Brawler Rear Bumper and Tire Carrier		

Option Parts

AX04035	2012 Jeep Wrangler Unlimited Rubicon™ Body - .040" (Clear) - Complete
AX24003	Axial 20T Electric Motor
AX24004	Axial 27T Electric Motor
AX24007	Axial 55T Electric Motor
AX24206	2.4GHz Radio System (2 Channel) (AX-3, AR-3)
AX24251	Axial NVS - Night Visions System
AX24252	Axial Double LED Light String (White LED)
AX24253	Axial Double LED Light String (Red LED)
AX24254	Axial Double LED Light String (Orange LED)
AX24255	Axial Single LED Light String (White LED)
AX24256	Axial 5 LED Light String (White LED)
AX24257	Simple LED Controller w/LED lights (4 white and 2 Red)
AX24258	4 LED String (White LED)
AX24259	Axial AE-2 Forward/Reverse ESC w/ Drag Brake
AX30090	Axial 61-90mm Aluminum Shock Set - 7mm piston (2pcs)

Parts List

Part #	Description	Part #	Description
AX30114	Axial Hard Anodized Aluminum Shock Reservoir (2pcs)	AX80040	1/10th Scale Fender Flare Set
AX30115	Axial Hard Anodized Aluminum Preload Collar (2pcs)	AX80042	1/10th Scale Roll Cage
AX30117	Axial Hard Anodized Aluminum Shock Body 10x38mm (2pcs)	AX80048	Exterior detail Parts Tree - Chrome
AX30201	Spring 12.5x20mm 4.32 lbs/in - Soft (White) - (2pcs)	AX80049	Axial LED Lens Set - Yellow/Clear (4pcs)
AX30202	Spring 12.5x20mm 5.44 lbs/in - Medium (Green) - (2pcs)	AX80051	Dig Transmission Case
AX30203	Spring 12.5x20mm 6.53 lbs/in - Firm (Yellow) - (2pcs)	AX30793	Dig Component Set
AX30204	Spring 12.5x20mm 7.95 lbs/in - Super Firm (Blue) - (2pcs)	AX80068	Dig Linkage
AX30205	Spring 12.5x40mm 2.7 lbs/in - Super Soft (Red) - (2pcs)	AX30437	Dig Lockout Shaft
AX30206	Spring 12.5x40mm 3.6 lbs/in - Soft (White) - (2pcs)	AX80085	Universal Mount 5 Bucket Light Bar Set
AX30207	Spring 12.5x40mm 4.08 lbs/in - Medium (Green) - (2pcs)	AX80086	Light Bar Lenses (clear) (5pcs)
AX30208	Spring 12.5x40mm 5.44 lbs/in - Firm (Yellow) - (2pcs)	AX8078	Axial Hub Cover Set - White (4pcs)
AX30209	Spring 12.5x40mm 6.81 lbs/in - Super Firm (Blue) - (2pcs)	AX8079	Axial Hub Cover Set - Black (4pcs)
AX30395	Heavy Duty Bevel Gear Set - 38T/13T	AX8080	Axial Hub Cover Set - Satin Chrome (4pcs)
AX30401	Heavy Duty Bevel Gear Set - 36T/14T	AX8081	Axial Hub Cover Set - Black Chrome (4pcs)
AX30402	Heavy Duty Bevel Gear Set - 43T/13T	AX8087	Axial 1.9 8 Hole Beadlocks - Black (2pcs)
AX30414	AX10 Scorpion Slipper Clutch Set	AX8088	Axial 1.9 8 Hole Beadlocks - Satin Chrome (2pcs)
AX30426	Steering Upgrade Kit	AX8122	Axial 1.9 Beadlock Ring - Grey (2pcs)
AX30464	AX10 Scorpion Universal Set (2pcs)	AX8127	Axial 1.9 Rock Beadlock Ring - Grey (2pcs)
AX30484	Transmission Spacer	AX30547	1.9 Internal Wheel Weight Ring 43g/1.5oz (2pcs)
AX30487	AX10 Locked Transmission Set	AX30548	1.9 Internal Wheel Weight Insert 9g/0.33oz (4pcs)
AX30488	AX10 Locked Axle Set	AX12016	1.9 Ripsaw Tires - R35 Compound
AX30489	Transmission Spacer 5x6.9x4.8mm	AXA1105	Cone Washer 3x6.9x2mm - Grey (6pcs)
AX30494	Aluminum Rear Axle Lockout (2pcs)	AXA1331	Flanged Ball 3x5.8x7mm (6pcs)
AX30495	Aluminum C Hub Carrier - Black (2pcs)	AXA1412	0.5x6mm Spacer - Grey (6pcs)
AX30496	Aluminum Knuckle - Black (2pcs)	AXA1413	1x6mm Spacer - Grey (6pcs)
AX30498	Transmission Spacer - Grey	AXA1415	3x6mm Spacer - Grey (6pcs)
AX30550	SCX10 TR Links Set - 12.3" (313mm) WB	AXA1416	4x6mm Spacer - Grey (6pcs)
AX30569	Pinion 48DP 14 T - Steel	AXA1418	6x6mm Spacer - Grey (6pcs)
AX30571	Pinion 48DP 13 T - Steel	AXA1419	7x10mm Post - Grey (2pcs)
AX30573	Pinion 48DP 15 T - Steel	AXA1420	7x15mm Post - Grey (2pcs)
AX30572	Pinion 48DP 14 T	AXA1421	7x20mm Post - Grey (2pcs)
AX30665	Spur 48DP 80T	AXA1422	7x25mm Post - Grey (2pcs)
AX30709	Universal 5 Bucket Light Bar Set	AXA1423	7x30mm Post - Grey (2pcs)
AX30786	WB8 Driveshaft Retainer Ring (Aluminum) (2pcs)	AXA1424	7x35mm Post - Grey (2pcs)
AX30794	WB8 Driveshaft Set (2pcs)	AXA1425	7x40mm Post - Grey (2pcs)
AX30860	Machined Motor Plate (Hard Anodized)	AXA1426	7x45mm Post - Grey (2pcs)
AX30834	Aluminum Servo Horn 23T (Hard Anodized)	AXA1427	7x50mm Post - Grey (2pcs)
AX30835	Aluminum Servo Horn 24T (Hard Anodized)	AXA1428	7x55mm Post - Grey (2pcs)
AX30836	Aluminum Servo Horn 25T (Hard Anodized)	AXA1429	7x60mm Post - Grey (2pcs)
AX4025	Axial Trail Honcho Truck Body - .040" uncut (Clear) w/ Molded Rear Cage	AXA1430	7x65mm Post - Grey (2pcs)
AX4025R	Axial Trail Honcho Truck Body - .040" uncut (Clear) - Body Only	AXA1431	7x70mm Post - Grey (2pcs)
AX4010	Axial Dingo Truck Body - .040" uncut (Clear)	AX08140	1.9 Walker Evans Street Wheel - Chrome/Black (2pcs)
AX4010R	Axial Dingo Truck Body - .040" uncut (Clear) - Body Only		
AX80038	Exterior Detail Parts Tree - Black		
AX80047	Exterior Detail Parts Tree - Chrome		
AX80039A	1/10th Scale Front Plate Bumper Set		
AX80039B	1/10th Scale Rear Plate Bumper Set		

Warranty Info

AXIAL LIMITED WARRANTY

Your Axial product is warranted to be free of defects in materials and workmanship when new in the factory sealed box. This warranty does not cover damages due to normal wear and tear, users' failure to perform routine maintenance, error of assembly or installation, modifications or addition of aftermarket parts or option parts. This warranty lasts as long as the original purchaser owns the product and is not transferable (verified by dated itemized sales receipt accompanied with product). In the event of a defect under this warranty, Axial will, at our discretion, repair or replace the product, provided our inspection indicates that an original defect exists. Axial provides a 10-day warranty from the date of purchase on electronics (i.e. servo, esc, radio). Axial reserves the right to replace any product which is no longer available with a product of comparable value and function. If Axial determines the repair is not covered under warranty guidelines, there could be a charge applied for the repair and return shipping charges. Note: Purchasing products from unauthorized distributors may void warranty and prevent support and service.

INTERNATIONAL CUSTOMER WARRANTY

Please return product to the dealer where the purchase was made. If your Axial product purchase was made through an on-line retailer, any warranty issues must be taken care of by that retailer. Axial assumes no responsibility for Axial products sold internationally by on-line retailers.

REPAIR

For warranty repair, please contact Axial Customer Service at (877) 64-AXIAL (877-642-9425).

HOURS AVAILABLE:

8:00 am - 5:00 pm Monday through Friday, Central Time.

OFFICIALLY LICENSED TECHNICAL PARTNERS:



EXPLORE

facebook.com/axialinc | twitter.com/axialracing | youtube.com/axialvideos | flickr.com/axialrc



8 GOODYEAR
SUITE 125
IRVINE, CA 92618

Jeep and related logos, vehicle model names and trade dresses are trademarks of Chrysler Group LLC and used under license by Axial R/C Inc. © Chrysler Group LLC 2013.

AX90027-1001

www.axialracing.com